

# Oasis 60 x 32-3/4 Acrylic, Open-Top Bathtub With ActivLife 2-Bar (2-horizontal) Package

33-inch / Private Access / Bars Only



**Specification** – Oasis one-piece, 60 x 32-3/4-inch deep, vacuum formed acrylic, open-top bathtub, model TSA-6033, offered in a standard 16-inch or 17.25-inch (ABF) apron height. ActivLife package includes a horizontal bar on the back wall and across the control wall.

**Standards Certification:**

The bathtub listed is manufactured in compliance with ANSI Z124 Standards, and certified through an ongoing, independent quality assurance and testing program.

The factory-applied grab bar package is certified through an independent review program.



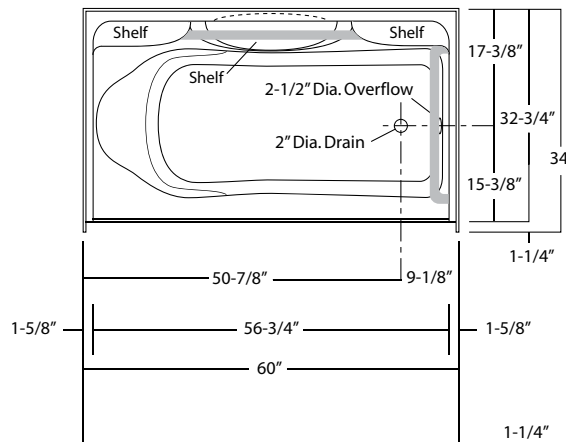
**TSA-6033 R / BP1-60**  
(RH drain / 2-bar package)  
Model & Package Illustrated

|   | Std Unit | ABF Unit |
|---|----------|----------|
| A | 76-3/4"  | 78"      |
| B | 75-1/2"  | 76-3/4"  |
| C | 16"      | 17-1/4"  |
| D | 1-3/4"   | 3"       |
| E | 13-3/4"  | 15"      |
| F | -        | -        |

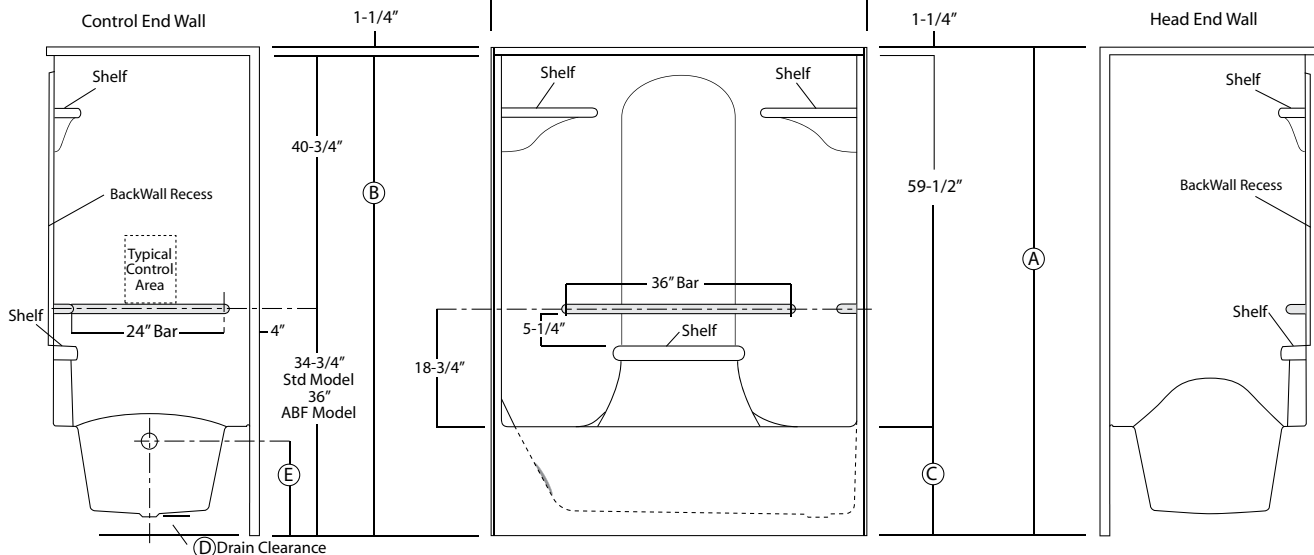
**NOTE:** Positioning of factory attached grab bars allow for the installation of a shower enclosure.



**Home Innovation**  
LAB CERTIFIED™



Enclosure Size:  
56-3/4" w (max) x 59-1/2" h (max)



Dimensions shown are maximum. Due to the nature of the materials involved, actual unit dimensions can vary (tolerances: +0 / -1/8 inch). Oasis reserves the right to modify or discontinue product and/or associated equipment without prior written or verbal notification or obligation.

| Model ID | Package Code | Description (define configuration referencing drain end) |
|----------|--------------|--|
|----------|--------------|--|

|                         |                        |   |
|-------------------------|------------------------|---|
| TSA-6033 L (Std or ABF) | / BP1-60 (left drain)  | 60" x 32-3/4", end drain, open-top acrylic tub-shower, with 16" (Std) or 17.25" (ABF) apron, and ActivLife 1.50" dia. stainless steel 2-bar package (single horizontal back wall bar, single horizontal bar on control wall). |
| TSA-6033 R (Std or ABF) | / BP1-60 (right drain) |   |

**Powder Coated Bar Packages (1.25-inch dia.)**

|                         |                            |  |
|-------------------------|----------------------------|--|
| TSA-6033 L (Std or ABF) | / BP1-60 WHT (left drain)  | 60" x 32-3/4", end drain, open-top acrylic tub-shower, with 16" (Std) or 17.25" (ABF) apron, and ActivLife 1.25" dia. white powder coated, 2-bar package (single horizontal back wall bar, single horizontal bar on control wall). |
| TSA-6033 R (Std or ABF) | / BP1-60 WHT (right drain) |  |

|                         |                            |  |
|-------------------------|----------------------------|--|
| TSA-6033 L (Std or ABF) | / BP1-60 SNK (left drain)  | 60" x 32-3/4", end drain, open-top acrylic tub-shower, with 16" (Std) or 17.25" (ABF) apron, and ActivLife 1.25" dia. nickel 2-bar package (single horizontal back wall bar, single horizontal bar on control wall). |
| TSA-6033 R (Std or ABF) | / BP1-60 SNK (right drain) |  |

ADD / SHWR ROD-TS      Factory installed 1" dia. stainless steel shower curtain rod.

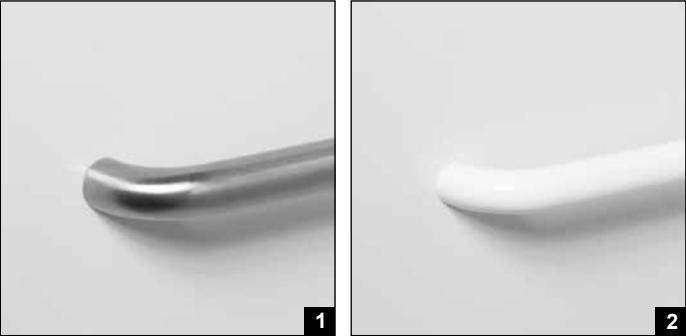
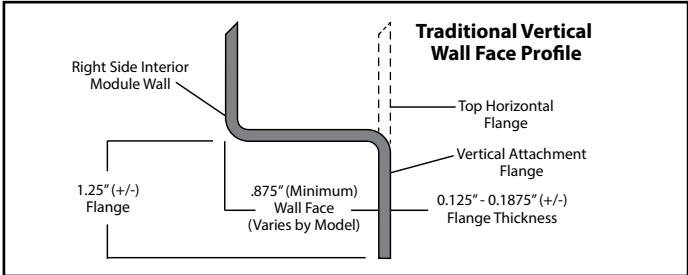


Photo 1: Grab Bars: Factory-installed 1.50-inch diameter, concealed attachment, 18 gauge, #304 brushed stainless steel grab bars. Concealed attachment design provides tamper-resistance and minimizes debris collection areas at contact points, compared to common exposed flange bar designs, without compromising bar attachment integrity. (Reinforced areas include a structural core material encapsulated in FRP composite.)

Photo 2: Grab Bars: Factory-installed 1.25-inch dia. powder coated (in finishes listed above), concealed attachment, 18 gauge, #304 stainless steel grab bars. Concealed attachment design provides tamper-resistance and minimizes debris collection areas at contact points, compared to common exposed flange bar designs, without compromising bar attachment integrity. (Reinforced areas include a structural core material encapsulated in FRP composite.)

**Package Notes:**

1. Model available without listed package.
2. For package with vertical bar at entry see ActivLife "BP2-60" package code.