

**ACRYLLUS SERIES
'INTEGRAL DOME'
SHOWER STALL**

Oasis



60-INCH MODEL

SHA-DM-6033DS (dual seat)

Rough-In Dimen.

60" wide x 34" deep x 89-3/8" high (w/ 4-1/2" dam)

Finished Dimen.

60" wide x 32-3/4" deep x 89-3/8" high (w/ 4-1/2" dam)

Unit Features



- One - Piece Fiberglass Composite Construction
- Vacuum Formed Acrylic Surface
- 3-3/8" Dia. Center Drain (see reverse side for location)
- Integral Unit Dome (cap)
- Gelcoat Style Mounting Flanges
- Dual, Ergonomic Seating
- Low Profile Dam (standard)
- Generous, Multi-Level Back Wall Shelving
- Balsa Wood Core Floor Structure

Special Notes

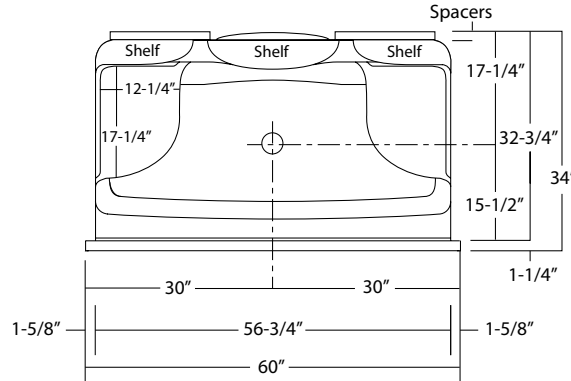
- Optional ABF Model (provides 2-1/2-inches of drain clearance)
- Factory Applied Bar Packages Available
- No-Seat & Single-Seat Versions Available
- Open Top Versions Available
- Available Only In White (WHT) & Biscuit (BSC) Colors

Order No.: SHA-DM-6033DS (dual seat / 4-1/2" dam)

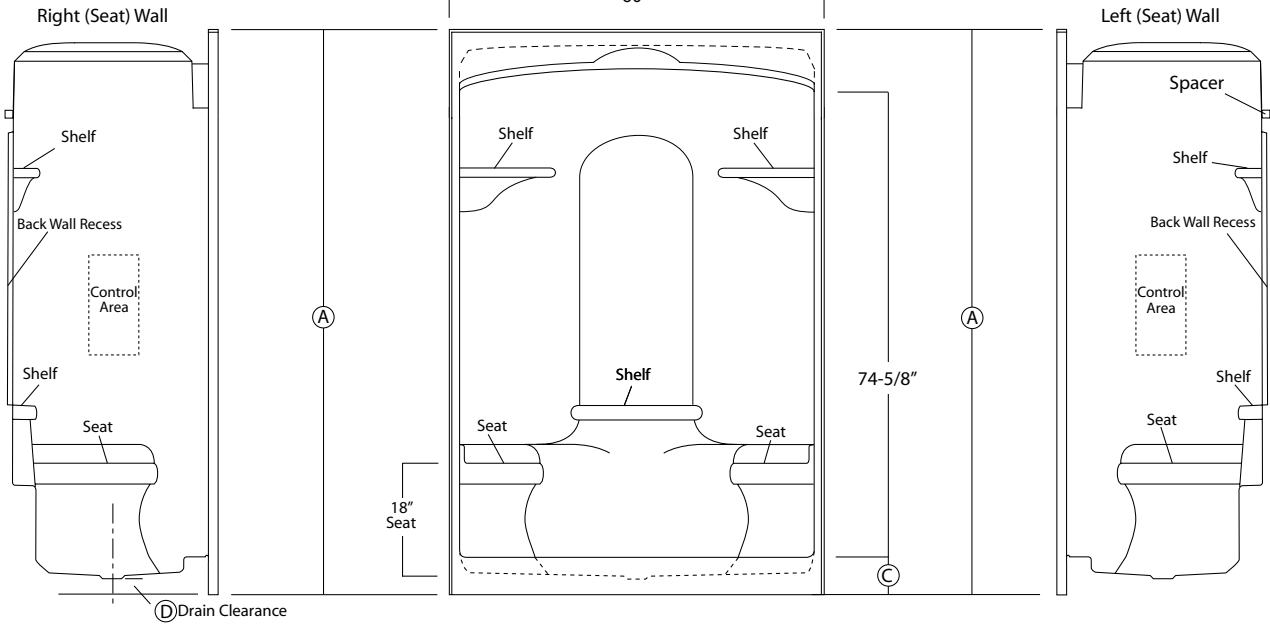
SHA-DM-6033DS ABF (dual seat / 6" dam)

60" x 32-3/4", one-piece vacuum formed acrylic shower stall with integral unit cap, dual countoured seats, multi-level back wall shelving, gelcoat style mounting flanges, 4-1/2" low profile dam (1" drain clearance), wall surround, and center drain.

	Std Unit	ABF Unit
A	89-3/8"	90-7/8"
B	-	-
C	4-1/2"	6"
D	1"	2-1/2"
E	-	-
F	-	-



Enclosure Size:
56-3/4"w (max) x 74-5/8"h (max)



Package Order No.: **BP5-60 (single-bar only package)**
 Upgrade Package No.: **BP5-60 WHT (1-1/4" dia., white powder coat, single-bar only package)**
BP5-60 SNK (1-1/4" dia., satin nickel, single-bar only package)

Package Includes: Factory installed, 1-1/2" dia. stainless steel, single-bar package with basic reinforcement.
 NOTE: Positioning of factory installed components allow for the installation of a shower enclosure.

