

VURSA *kd* SERIES
SHOWER STALL

Oasis®



MULTI-PIECE MODEL

SH4P-6032 (4-piece / center drain)

Rough-In Dimensions

60" wide x 33-1/4" deep x 76-1/4" high (w/ 4-inch dam)

Finished Dimensions

60" wide x 32" deep x 75" high (w/ 4-inch dam)

Unit Features



- Four - Piece Fiberglass Composite Construction
- Sanitary Grade Polyester Gelcoat Surface
- Front-Side Installation With Minimal Sealant Requirements
- 3-3/8" Dia. Center Drain
- Anti-Drip Front Dam Ledge
- Generous, Multi-Level Back Wall Shelving
- Wall Design Accommodates Grab Bar Applications
- Textured Floor Pattern
- 1/2-inch Balsa Wood Core Floor Structure

Special Notes

- Optional ABF Model (provides 3-inches of drain clearance)
- 'QwikClic' Technology
- Factory Applied Reinforcement Available
- Factory Applied Bar Packages Available

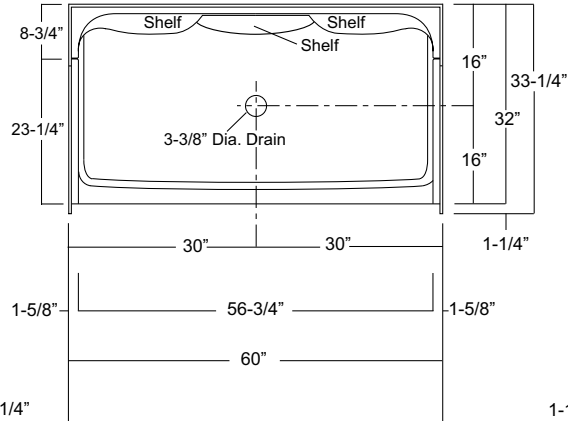
Order No.: SH4P-6032 (center drain / 4" dam)

Order No.: SH4P-6032 ABF (center drain / 6" dam)

60" x 32", 4-piece gelcoated fiberglass shower with 'QuikClic', front installation, 4" low profile dam (1" drain clearance) multi-level back wall shelves and center drain.

SH4P-6032 ABF (illustrated)

	Std Unit	ABF Unit
A	76-1/4"	78-1/4"
B	75"	77"
C	4"	6"
D	1"	3"
E	-	-
F	22"	24"



Enclosure Size:
56-3/4"w (max) x 71"h (max)

