

Oasis 4-Piece, 60-inch, Center Drain Shower Compartment With ActivLife (HUD/FHA Fair Housing Act Design Manual) Reinforcement Package

60-inch / Private Access / Reinforced Only



Specification – Oasis 4-piece FRP gelcoat shower compartment SH4P-6030 center drain shower with a standard 4-inch or 6-inch (ABF) dam configuration. ActivLife package includes factory-applied reinforcement, in compliance with HUD/FHA Fair Housing Act Design Manual, for horizontal bar application on back wall and both side walls.

Standards Certification:

The shower compartment listed is manufactured in compliance with ANSI Z124 Standards, and certified through an ongoing, independent quality assurance and testing program.



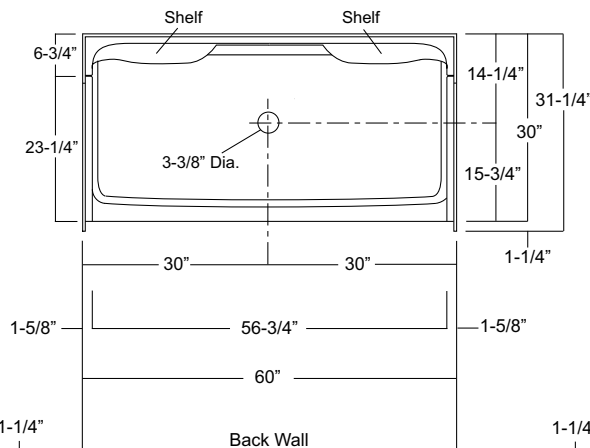
SH4P-6030 / FH
(Fair Housing reinforced)
Model & Package Illustrated



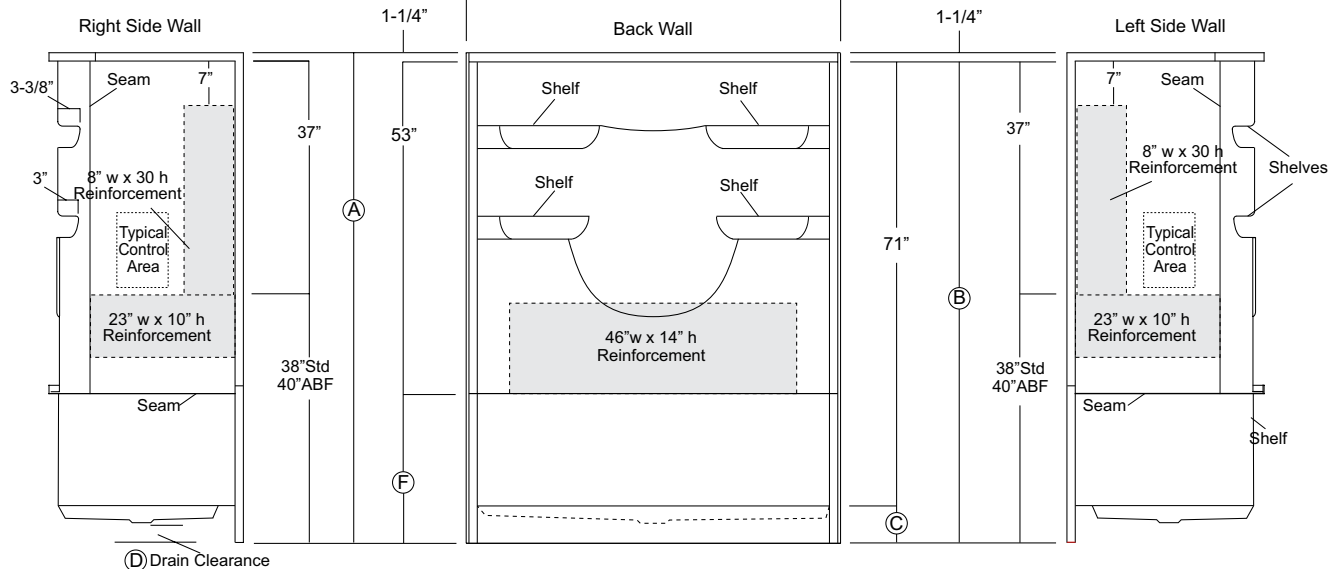
Home Innovation
LAB CERTIFIED™



	Std Unit	ABF Unit
A	76-1/4"	78-1/4"
B	75"	77"
C	4"	6"
D	1"	3"
E	-	-
F	22"	24"



Enclosure Size:
56-3/4"w (max) x 71"h (max)



Dimensions shown are maximum. Due to the nature of the materials involved, actual unit dimensions can vary (tolerances: + / - 1/8 inch). Oasis reserves the right to modify or discontinue product and/or associated equipment without prior written or verbal notification or obligation.

Model ID	Package Code	Description (define configuration referencing control wall)
----------	--------------	---

SH4P-6032	/ FH	60" x 30", 4-piece, center drain shower with 4" (std) or 6" (ABF) dam and ActivLife back wall and side wall reinforcements for horizontal bar application.
-----------	------	--

Available Factory Installed Packages (model available without any component or reinforcement packages)

Component Packages:

- 1. BP2 package code: 2-wall, 3-bar package
- 2. BP1 package code: 2-wall, 2-bar package

Reinforced ONLY Packages:

- 3. FH package code: reinforcement for horizontal bars, based on HUD/FHA-Fair Housing

