

# Oasis 3-Piece, 60-inch, Ramped Threshold, Roll-In Shower Compartment With ActivLife 2-Side Horizontal Bar & Single-Side Seat Reinforcement Only Package



**Specification** – Oasis 3-piece FRP gelcoat shower compartment SH3P-MD-6032, having a low profile finished threshold with floor attachment flange on lower threshold. ActivLife package includes factory applied, 2-wall horizontal bar reinforcement and single-wall seat reinforcement exceeding (HUD/FHA) 'Fair Housing' requirements.

**Standards Certification:**

The shower compartment listed is manufactured in compliance with ANSI Z124 Standards, and certified through an ongoing, independent quality assurance and testing program.

**NOTE:** This model DOES NOT meet the required interior dimensions for ADA Roll-In Shower compliance.

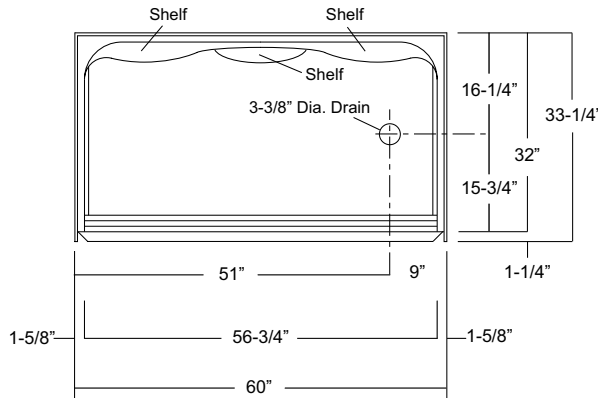
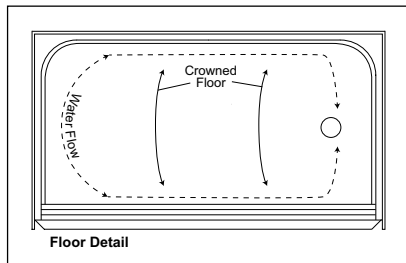
60-inch / Private Access / Reinforced Only



**SH3P-MD-6032 R / TLRF-LS**  
(RH drain / bar & seat reinforcement)  
Model & Package Illustrated

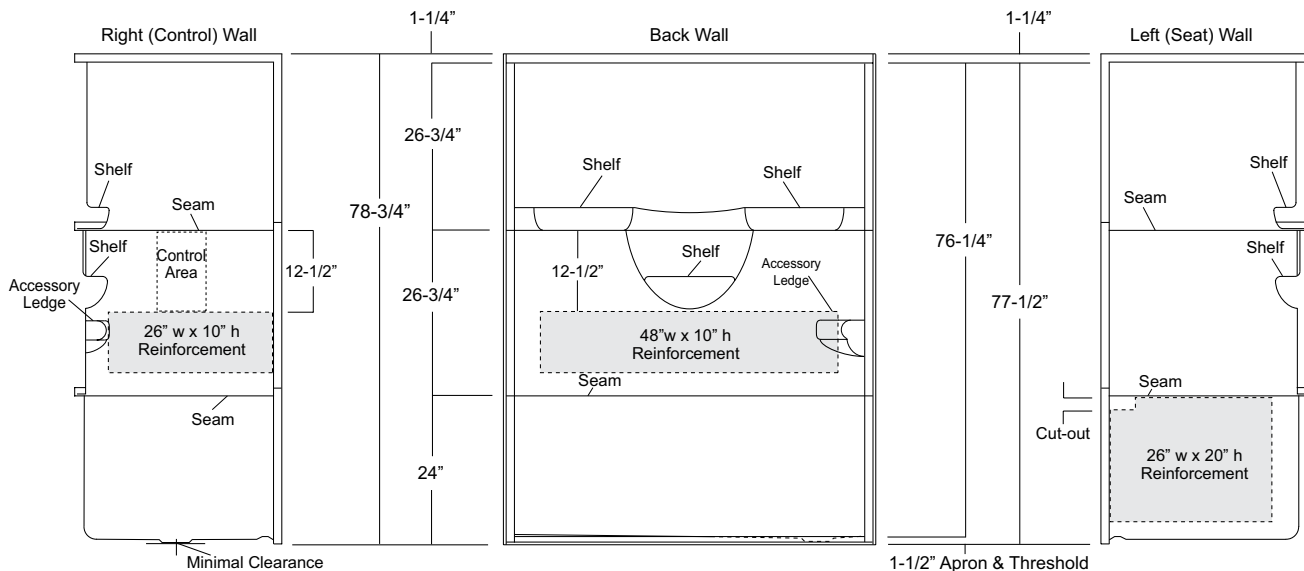


**Home Innovation**  
LAB CERTIFIED™



Enclosure Size:  
56-3/4" w (max) x 76-1/4" h (max)

**NOTE:** Due to narrow threshold size and ramped configuration, (see reverse side for details), care must be used in selecting an enclosure.



Dimensions shown are maximum. Due to the nature of the materials involved, actual unit dimensions can vary (tolerances: + / - 1/8 inch). Oasis reserves the right to modify or discontinue product and/or associated equipment without prior written or verbal notification or obligation.

**Model ID****Package Code****Description (define configuration referencing drain side)**

SH3P-MD-6032 L (left drain) / TLRF-RS (right seat) 60" x 32", 3-piece, end drain, low profile threshold shower with an ActivLife 2-wall horizontal  
 SH3P-MD-6032 R (right drain) / TLRF-LS (left seat) bar and single-wall seat reinforcement only package.

**Package Notes:**

1. Model available without listed package.
2. For REINFORCEMENT ONLY for horizontal bars (HUD/FHA-Fair Housing), see ActivLife "FH" package code.
3. For expanded reinforcement package options (with or without package components), see ActivLife "3SM" and "3SF" package codes.
4. Model available with 2-bar or 3-bar packages, see ActivLife "BP1-60" and "BP2-60" package codes.
5. Model available with bar and seat packages, see ActivLife "TL" and "TLV" package codes

