

Oasis 3-Piece, 60-inch, Ramped Threshold, Roll-In Shower Compartment With ActivLife (HUD/FHA Fair Housing Act Design Manual) Reinforcement Package

60-inch / Private Access / Reinforced Only



Specification – Oasis 3-piece FRP gelcoat shower compartment SH3P-MD-6032, having a low profile finished threshold with floor attachment flange on lower threshold. ActivLife package includes factory-applied reinforcement, in compliance with HUD/FHA Fair Housing Act Design Manual, shall include back wall and both side wall reinforcement for horizontal bar application.

Standards Certification:

The shower compartment listed is manufactured in compliance with ANSI Z124 Standards, and certified through an ongoing, independent quality assurance and testing program.

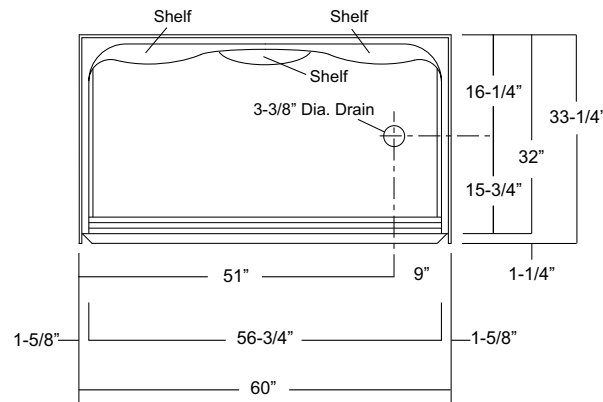
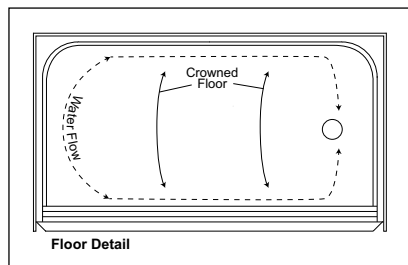
NOTE: This model DOES NOT meet the required interior dimensions for ADA Roll-In Shower compliance.



SH3P-MD-6032 R / FH
(RH drain / Fair Housing reinforced)
Model & Package Illustrated

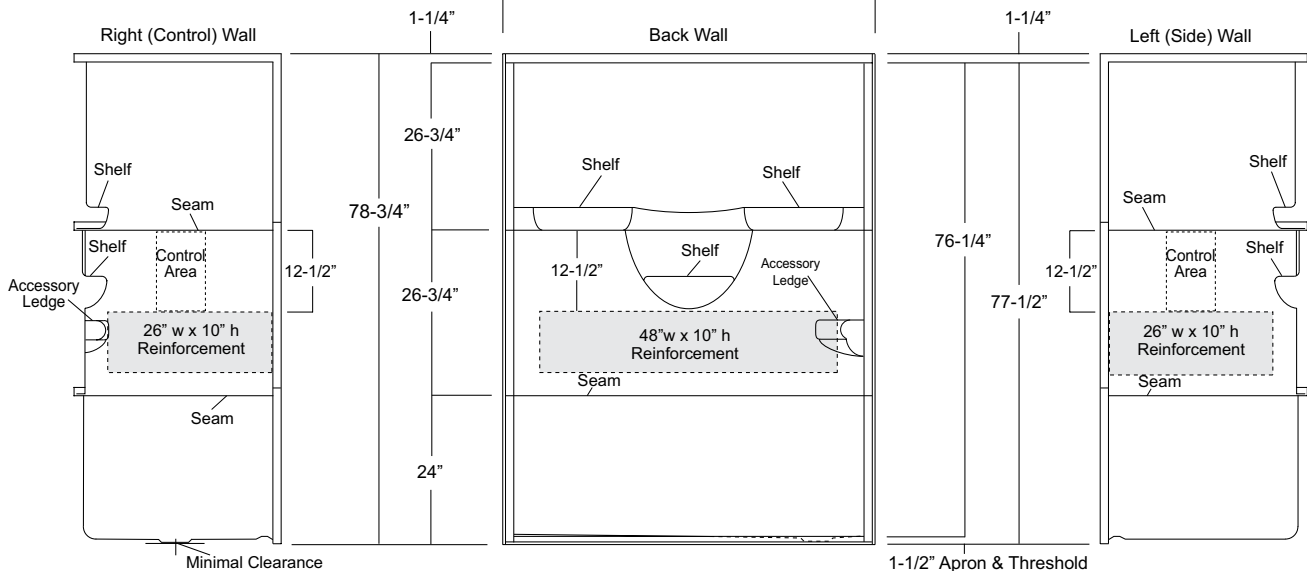


Home Innovation
LAB CERTIFIED™



Enclosure Size:
56-3/4" w (max) x 76-1/4" h (max)

NOTE: Due to narrow threshold size and ramped configuration, (see reverse side for details), care must be used in selecting an enclosure.



Dimensions shown are maximum. Due to the nature of the materials involved, actual unit dimensions can vary (tolerances: + / - 1/8 inch). Oasis reserves the right to modify or discontinue product and/or associated equipment without prior written or verbal notification or obligation.

Model ID	Package Code	Description (define configuration referencing drain side)
----------	--------------	---

SH3P-MD-6032 L (left drain) / FH
 SH3P-MD-6032 R (right drain) / FH

60" x 32", 3-piece, end drain, low profile threshold shower with an ActivLife 3-wall horizontal bar reinforcement only package.

Package Notes:

1. Model available without listed package.
2. For REINFORCEMENT ONLY replicating "TL" package with RH or LH seat reinforcement, see ActivLife "TLRF-RS/LS" package code.
3. For expanded reinforcement package options (with or without package components), see ActivLife "3SM" and "3SF" package codes.
4. Model available with 2-bar or 3-bar packages, see ActivLife "BP1-60" and "BP2-60" package codes.
5. Model available with bar and seat packages, see ActivLife "TL" and "TLV" package codes

