

**VURSA kd SERIES  
SHOWER STALL**

Patent No.: US 8,918,927 B1

**Oasis**

SH3P-6030L-ABF / TL-RS shown



MULTI-PIECE MODEL

**SH3P-6030** (3-piece / center drain)

Rough-In Dimensions

60" wide x 31-1/4" deep x 76-3/4" high (w/ 4-inch dam)

Finished Dimensions

60" wide x 30" deep x 75-1/2" high (w/ 4-inch dam)

Unit Features

- Three - Piece Fiberglass Composite Construction
- Sanitary Grade Polyester Gelcoat Surface
- Front-Side Installation With Minimal Sealant Requirements
- 3-3/8" Dia. Center Drain
- Anti-Drip Front Dam Ledge
- Corner Accessory Ledge
- Generous, Multi-Level Back Wall Shelving
- Wall Design Accommodates Grab Bar & Seat Applications
- Textured Floor Pattern
- 1/2-inch Balsa Wood Core Floor Structure



**Home Innovation**  
LAB CERTIFIED™

Special Notes

- Optional ABF Model (provides 3-inches of drain clearance)
- 'QwikClic' Technology
- Factory Applied Reinforcement Packages Available
- Factory Applied Bar & Seat Packages Available

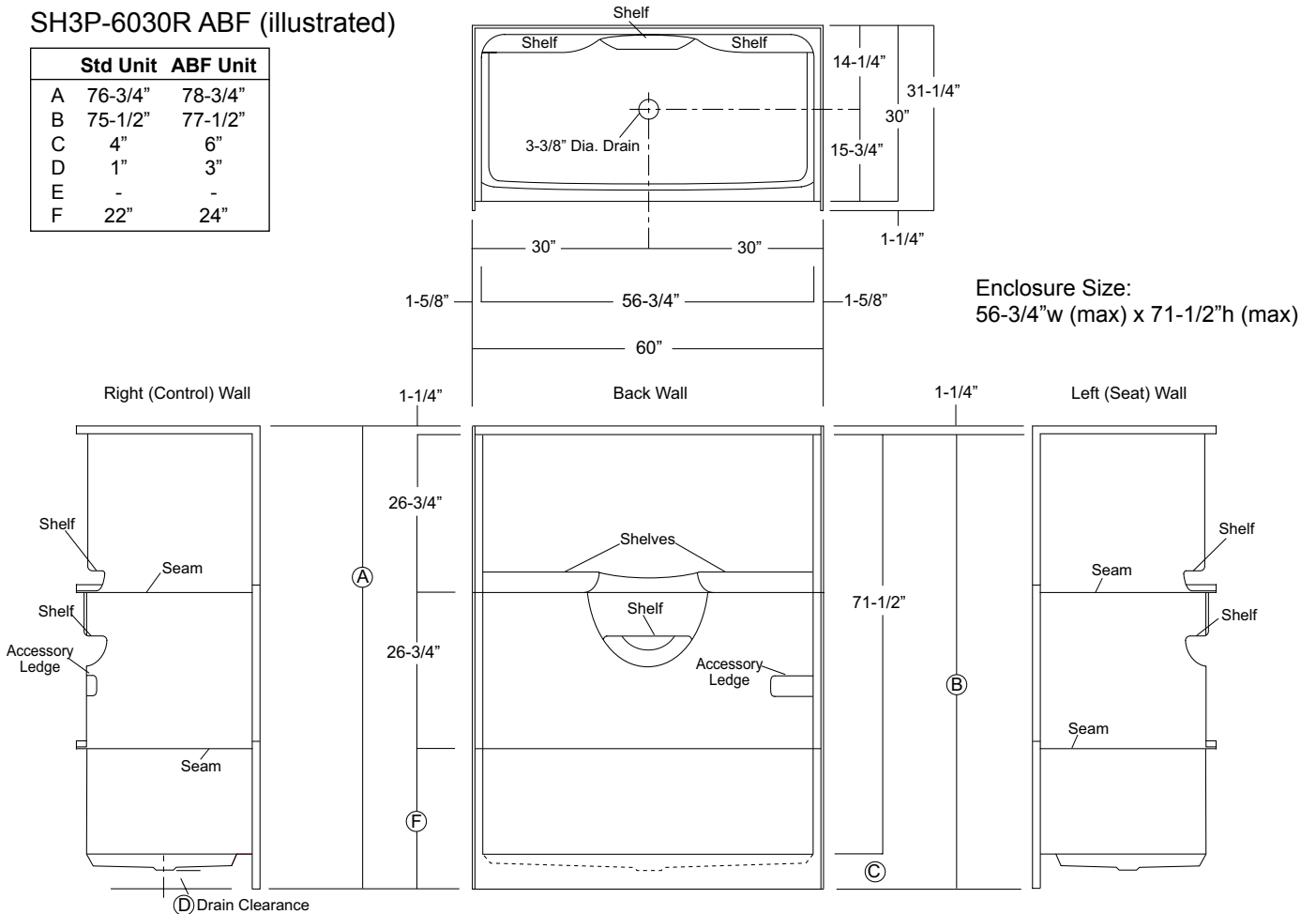
Order No.: SH3P-6030R (center drain / RH shelf / 4" dam)  
 SH3P-6030L (center drain / LH shelf / 4" dam)

Order No.: SH3P-6030R (center drain / RH shelf / 6" dam)  
 SH3P-6030L (center drain / LH shelf / 6" dam)

60" x 30", 3-piece gelcoated fiberglass shower with 'QuikClic', front side installation, 4" low profile dam (1" drain clearance), multi-level back wall shelves, RH or LH corner accessory ledge, and center drain.

### SH3P-6030R ABF (illustrated)

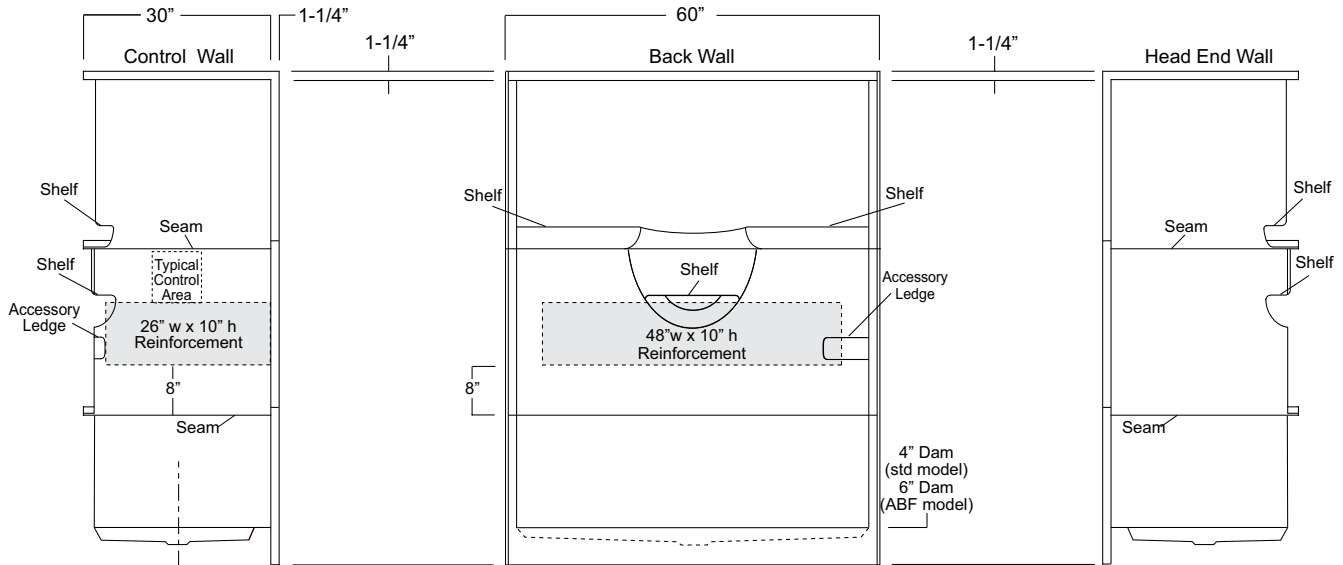
	Std Unit	ABF Unit
A	76-3/4"	78-3/4"
B	75-1/2"	77-1/2"
C	4"	6"
D	1"	3"
E	-	-
F	22"	24"



**Package Order No.: FH (Fair Housing wall reinforcement)**

Package Includes: Factory applied, HUD-FHA compliant (Fair Housing), structurally reinforced wall areas (as shown) for independent field application of bars.

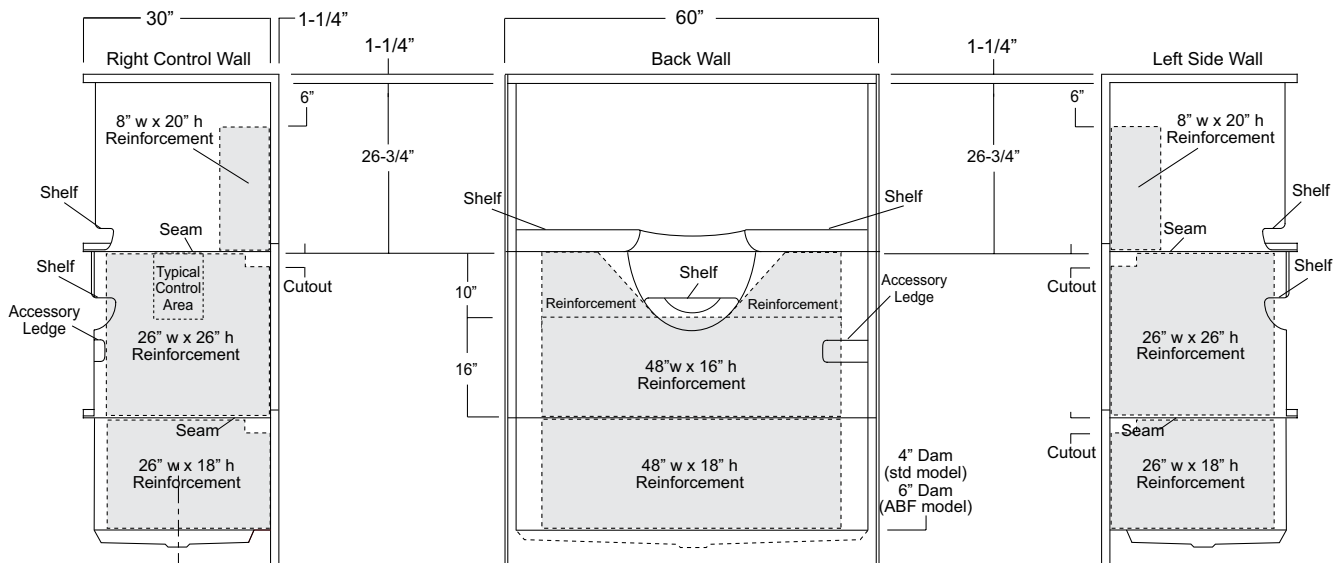
NOTE: Factory installed stainless steel shower curtain rod available.



**Package Order No.: 3SM (3-side, mid-level wall reinforcement)**

Package Includes: Factory applied, 3-side, mid-level, structurally reinforced wall areas (as shown), exceeding 'Fair Housing' (HUD/FHA) requirements, for independent field application of bars.

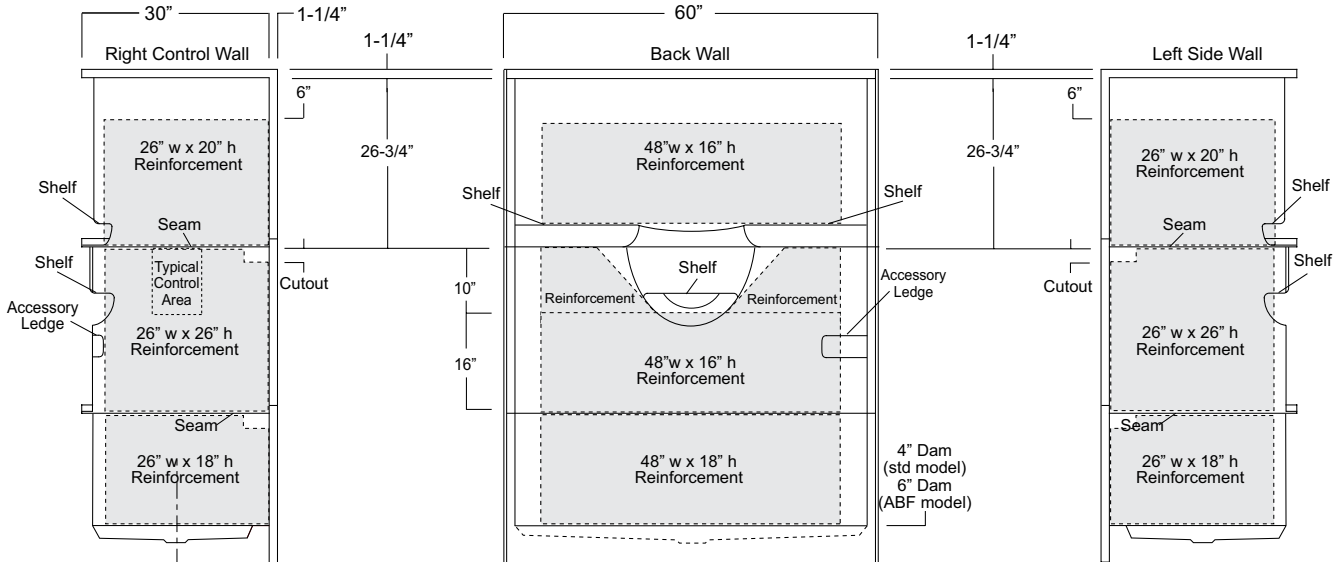
NOTE: Factory installed component packages available with listed reinforcement.



**Package Order No.: 3SF (3-side, full-wall reinforcement)**

Package Includes: Factory applied, 3-side, full-wrap, structurally reinforced wall areas (as shown), exceeding 'Fair Housing' (HUD/FHA) requirements, for independent field application of bars.

NOTE: Factory installed component packages available with listed reinforcement.



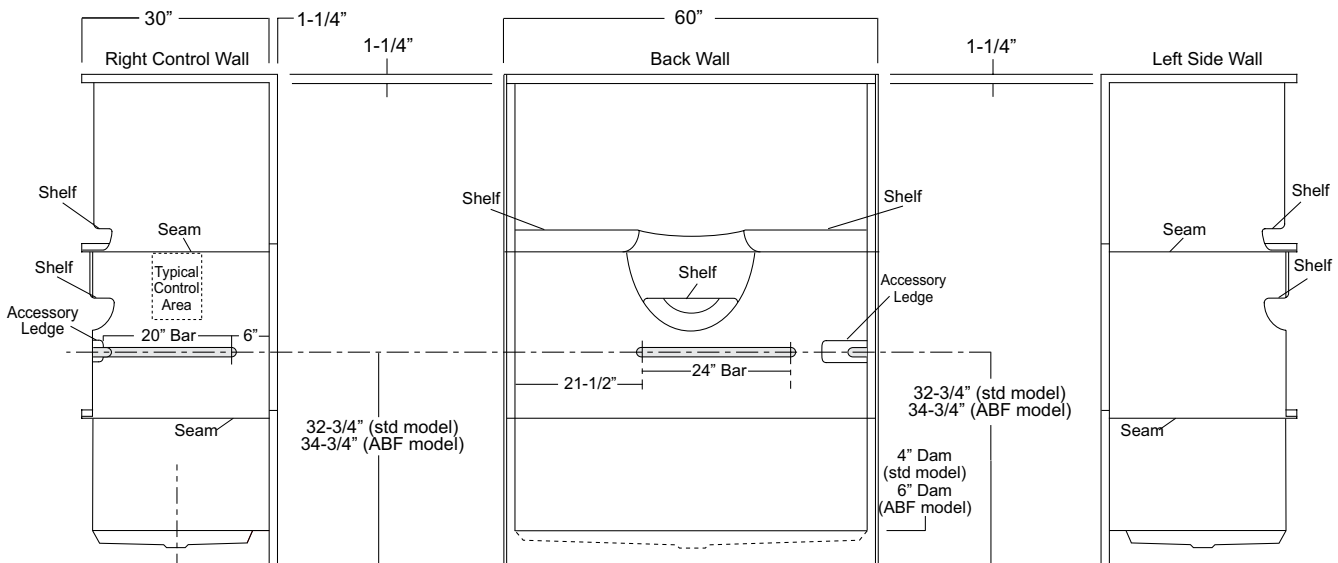
**Package Order No.: BP1-60 (2-bar only package)**

**Upgrade Package No.: BP1-60 WHT (1-1/4\"/>**

**BP1-60 SNK (1-1/4\"/>**

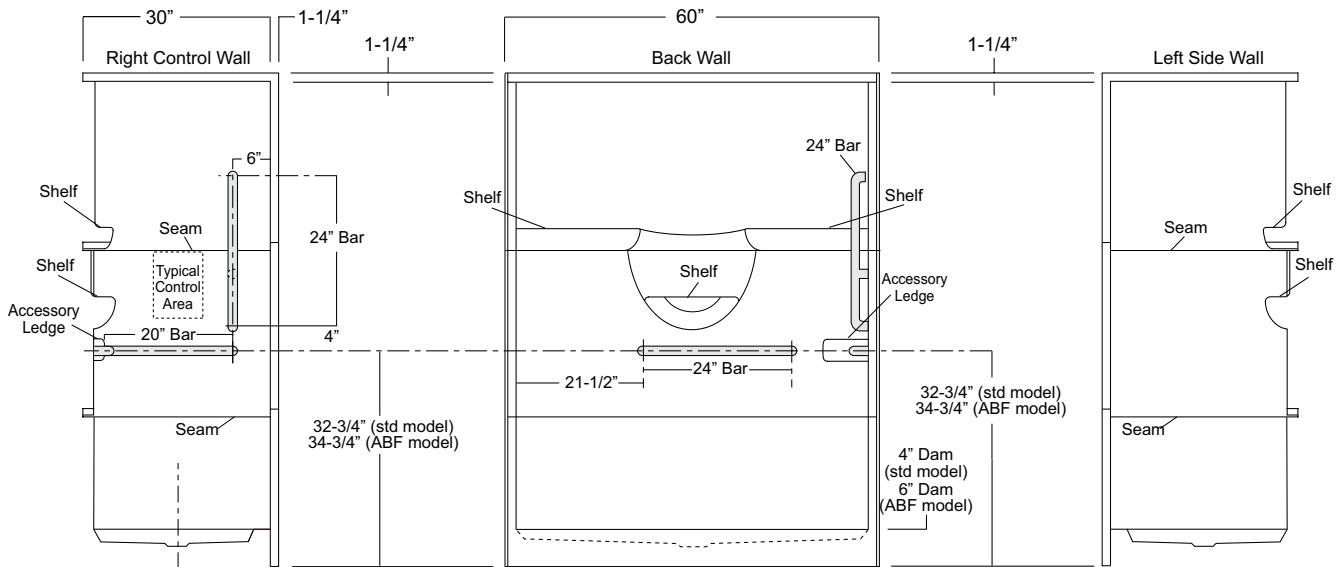
Package Includes: Factory installed, 1-1/2\"/>

NOTE: Positioning of factory installed components allow for the installation of a shower enclosure.



**Package Order No.:** BP2-60 (3-bar only package)  
**Upgrade Package No.:** BP2-60 WHT (1-1/4" dia., white powder coat, 3-bar only package)  
 BP2-60 SNK (1-1/4" dia., satin nickel, 3-bar only package)

Package Includes: Factory installed, 1-1/2" dia. stainless steel, 3-bar package with basic reinforcement for components (as shown).  
 NOTE: Positioning of factory installed components allow for the installation of a shower enclosure.



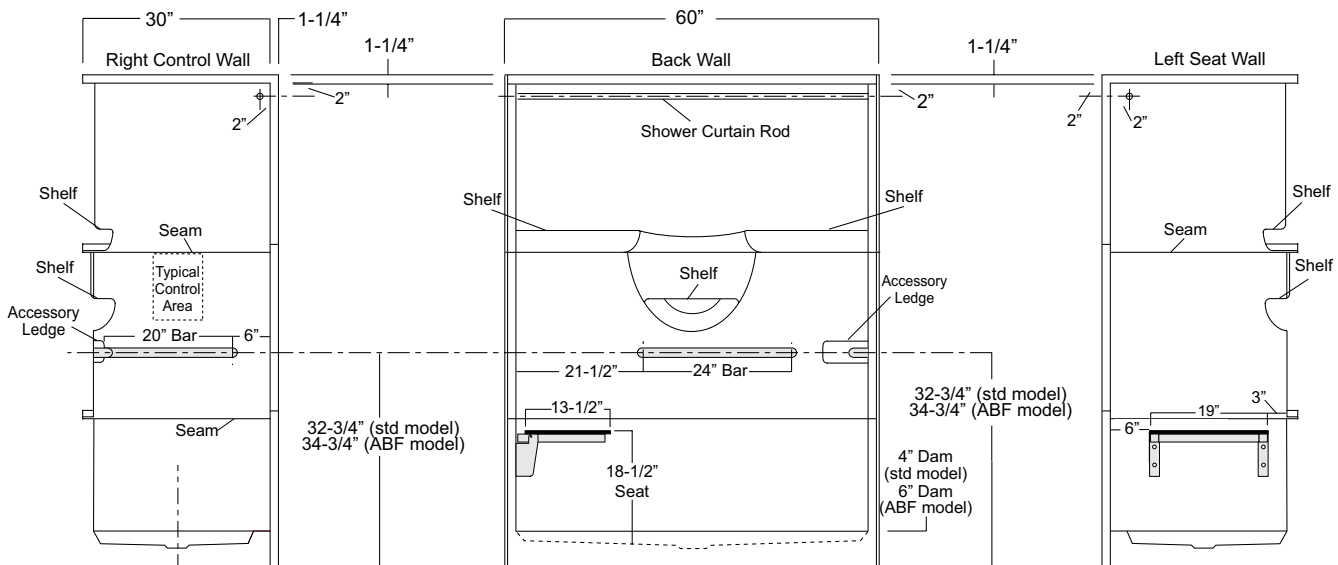
**Package Order No.:** TL-LS (LH seat package)  
 TL-RS (RH seat package)

Package Includes: Factory installed, 1-1/2" dia. stainless steel, 2-bar package, 1" dia. shower rod, and side wall folding seat, with basic reinforcement for components (as shown).

NOTES: "RS or LS" designates seat wall.

Shower curtain rod may be deleted upon request.

Positioning of factory installed components prohibit the installation of a shower enclosure.



**Package Order No.: TLV-LS (LH seat package)  
TLV-RS (RH seat package)**

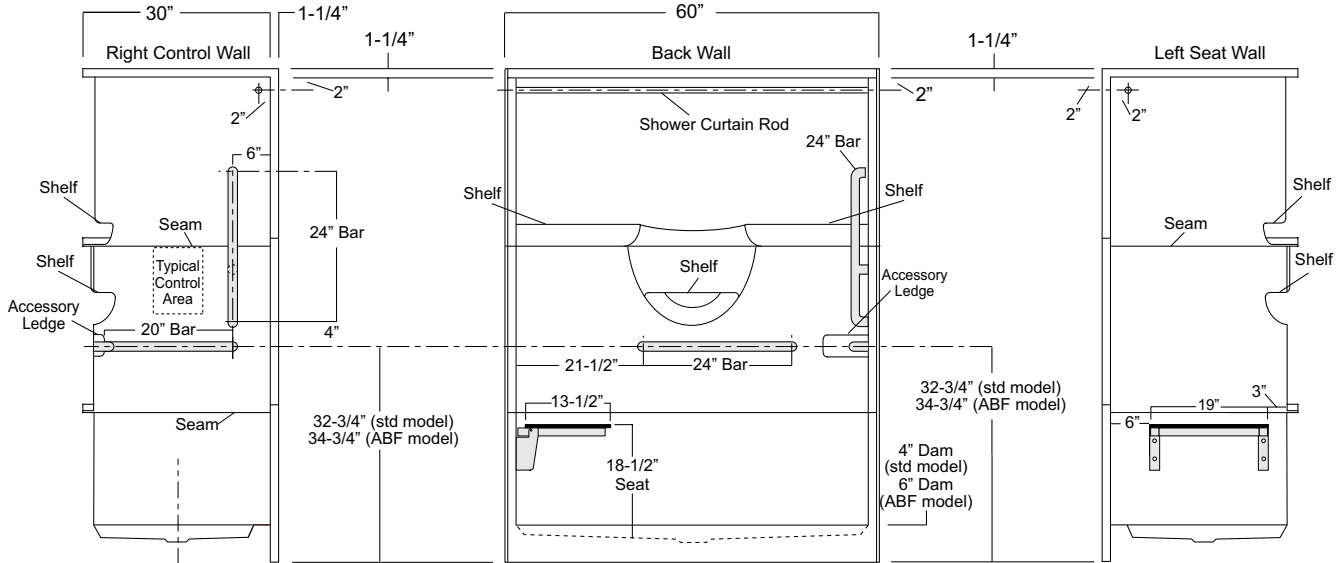
Package Includes: Factory installed, 1-1/2" dia. stainless steel, 3-bar package, 1" dia. shower rod, and side wall folding seat, with basic reinforcement for components (as shown).

NOTES: "RS or LS" designates seat wall.

Shower curtain rod may be deleted upon request.

Positioning of factory installed components prohibit the installation of a shower enclosure

(b/19/23 v1.0)



Photographic images may include optional components and appear different than actual product.  
Dimensions shown are maximum. Due to the nature of the materials involved, actual unit dimensions can vary (tolerances: +/- 1/8 inch)  
Oasis reserves the right to modify or discontinue product and/or associated equipment without prior written or verbal notification or obligation.