

BUILDER SERIES



Home Innovation
LAB CERTIFIED™

Oasis



60-INCH WIDE MODEL

OV-S-6042 (Tile Flange, Full Apron)

Rough-In Dimensions	OV-S-6042	60" wide x 43-1/4" deep x 21-1/4" high
---------------------	-----------	--

Finished Dimensions	OV-S-6042	60" wide x 42" deep x 20" high
---------------------	-----------	--------------------------------

Unit Features

- Sanitary Grade Polyester Gelcoat Surface
- 2" Dia. RH or LH Drain (see reverse side for location)
- 2-1/2" Dia. Overflow (see reverse side for location)
- Integral Tile Flange & Full Apron
- Pre-Leveled Block Base System
- Balsa Wood Core Floor Structure
- Textured Floor Pattern

Special Notes

- UL Listed Hydrotherapy Systems
- Model Available In Self-Rimming Design

Gelcoat Unit / System Order Number

OV-S-6042 R / L Drain (soaking tub)
OV-S-6042 R / L Drain / VHS (Villa System)
OV-S-6042 R / L Drain / IHS (InVigor System)

System Trim

Standard VHS & IHS Trim (order code): White trim on White unit (WHT)

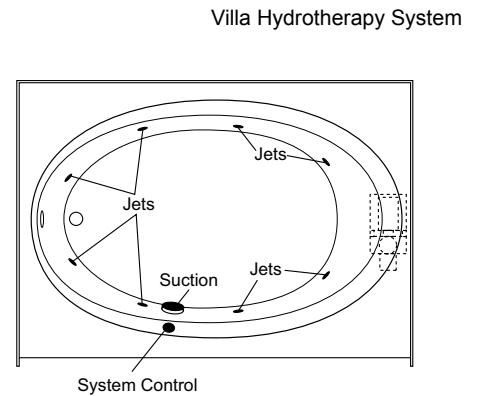
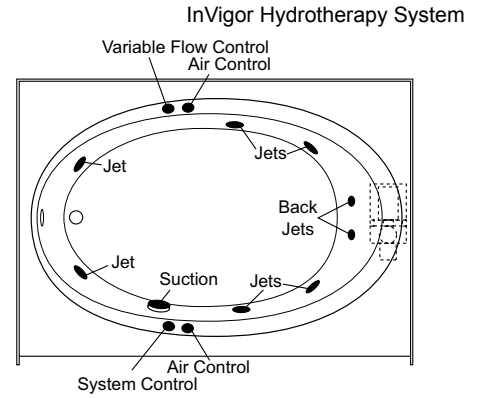
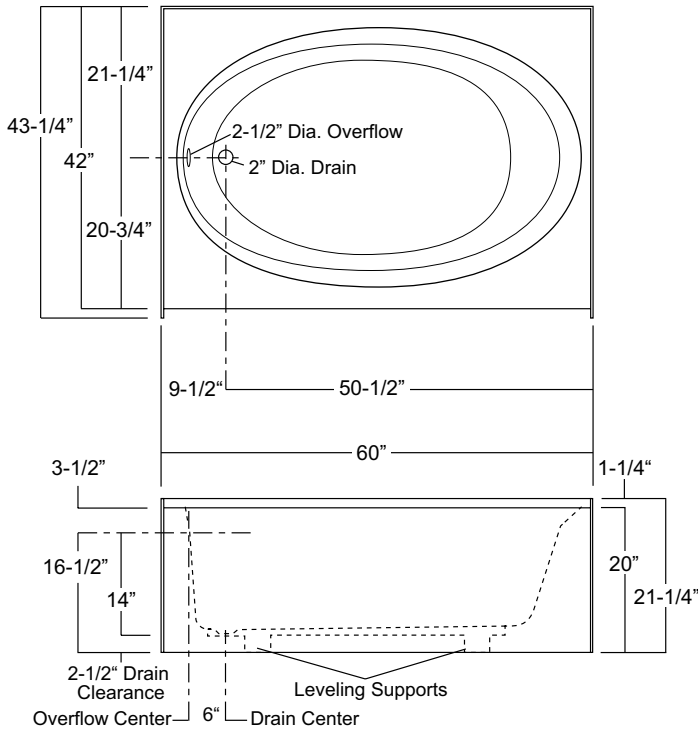
Order Code / Description

IHS *InVigor Hydrotherapy System*: All white components including, (6) Slimline adjusta-flo, multi-directional jets, (4 on sides / 2 on drain end), (2) Slimline micro back jets, variable flow control, twin air controls, electronic system control with 20-min timer, and 13.0 amp pump.

VHS: *Villa Hydrotherapy System*: All white components including, (8) Slimline micro jets, pneumatic system control, and 7.50 amp pump.

Order Code / Description

Options: **CHR:** Chrome Jet Trim Ring Upgrade (IHS only)
ILH: In-Line Heater (factory installed)
MP/B: Alternate Pump Location (site installed)
AP-60: Removable Gelcoat Apron Panel



OV-S-6042L (illustrated)
 Sump Bottom Dimen: 43-1/2" long x 29-1/2" wide x 16-3/4" deep
 Sump Capacity: 62 gal. (unoccupied - to overflow)
 Whirlpool Operating: 32 gal.