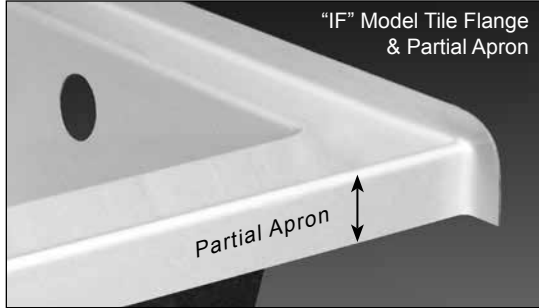


PURITY SERIES BATH

Oasis



Home Innovation
LAB CERTIFIED™



72-INCH WIDE MODELS

MB(A)-S-7236 (Tile Flange, Full Apron)

MB-IF-7236 (Tile Flange, Partial Apron)

Rough-In Dimensions MBA-S-7236 / MB-S-7236 72" wide x 37-1/4" deep x 19-1/2" high (std model)
MB-IF-7236

Finished Dimensions MBA-S-7236 / MB-S-7236 72" wide x 36" deep x 18-1/4" high (std model)
MB-IF-7236

Unit Features

- Vacuum Formed Acrylic or Sanitary Grade Gelcoat Surface
- 2" Dia. RH or LH Drain (see reverse side for location)
- 2-1/2" Dia. Overflow (see reverse side for location)
- "S" Model: Integral Tile Flange & Full Apron
- "IF" Model: Integral Tile Flange & Partial Apron
- Extra Deep Bathing Sump
- Pre-Leveled Block Base System
- Balsa Wood Core Floor Structure
- Textured Floor Pattern

Special Notes

- Optional ABF Version (provides 3-1/2-inches of drain clearance)
- UL Listed Hydrotherapy Systems
- Model Available In Self-Rimming Design
- Acrylic Model Available Only In White (WHT) & Biscuit (BSC) Colors

Acrylic Unit / System Order Number

MBA-S-7236 R / L Drain (soaking tub)
MBA-S-7236 R / L Drain ABF (soaking tub)
MBA-S-7236 R / L Drain/ VHS (Villa System)
MBA-S-7236 R / L Drain / ABF / VHS (Villa System)
MBA-S-7236 R / L Drain/ IHS (InVigor System)
MBA-S-7236 R / L Drain / ABF / IHS (InVigor System)

Gelcoat Unit / System Order Number

MB-S-7236 R or L Drain (soaking tub)
MB-S-7236 R or L Drain ABF (soaking tub)
MB-S-7236 R / L Drain/ VHS (Villa System)
MB-S-7236 R / L Drain / ABF / VHS (Villa System)
MB-S-7236 R / L Drain/ IHS (InVigor System)
MB-S-7236 R / L Drain / ABF / IHS (InVigor System)

MB-IF-7236 R or L Drain (soaking tub)
MB-IF-7236 R or L Drain ABF (soaking tub)
MB-IF-7236 R / L Drain/ VHS (Villa System)
MB-IF-7236 R / L Drain / ABF / VHS (Villa System)
MB-IF-7236 R / L Drain/ IHS (InVigor System)
MB-IF-7236 R / L Drain / ABF / IHS (InVigor System)

System Trim

Standard VHS & IHS Trim (order code): White trim on White unit (WHT)

Order Code / Description

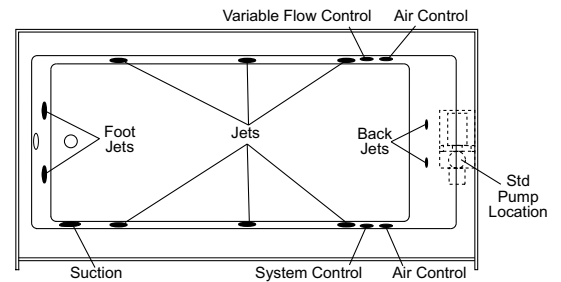
IHS *InVigor Hydrotherapy System:* All white components including, (8) Slimline adjusta-flo, multi-directional jets, (6 on sides / 2 on drain end), (2) Slimline micro back jets, variable flow control, twin air controls, electronic system control with 20-min timer, and 13.0 amp pump.

VHS: *Villa Hydrotherapy System:* All white components including, (8) Slimline micro jets, pneumatic system control, and 7.50 amp pump.

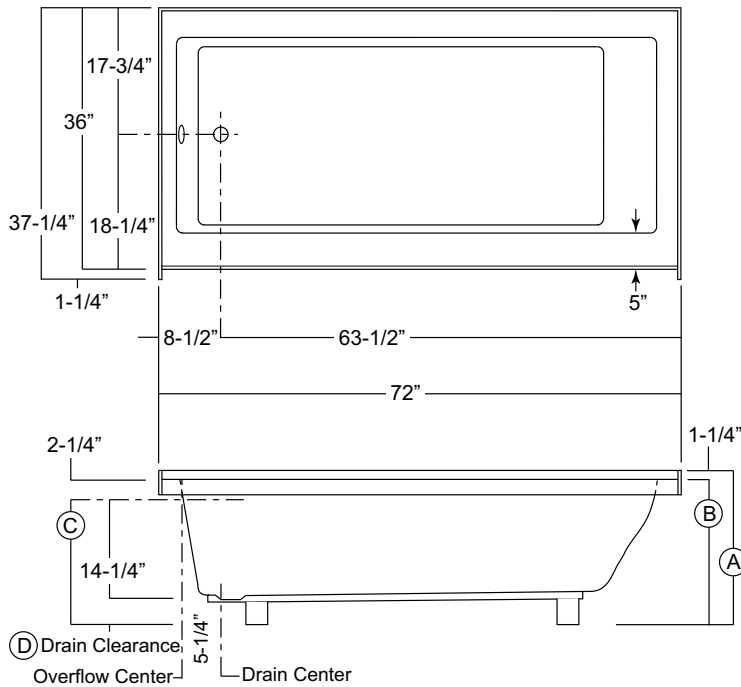
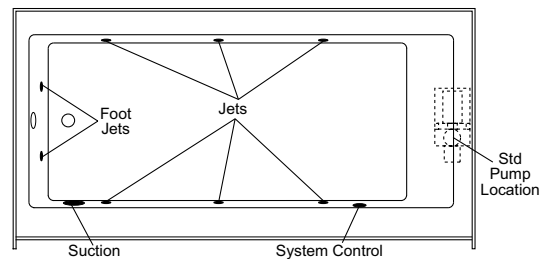
Order Code / Description

Options: **CHR:** Chrome Jet Trim Ring Upgrade (IHS only)
ILH: In-Line Heater (factory installed)
MP/B: Alternate Pump Location (site installed)
APA-72: Removable Acrylic Apron Panel
AP-72: Removable Gelcoat Apron Panel

InVigor Hydrotherapy System



Villa Hydrotherapy System



	Std Unit	ABF Unit
A	19-1/2"	21-1/4"
B	18-1/4"	20"
C	16"	17-3/4"
D	1-3/4"	3-1/2"
E	-	-
F	-	-

MB-IF-7236L ABF (illustrated)

(S model full apron extends down to room floor)

Sump Bottom Dimen: 57-3/4" long x 24-3/4" wide x 15" deep (middle)

Sump Capacity: 76 gal. (unoccupied - to overflow)

Whirlpool Operating: 48 gal.

Photographic images may include optional components and appear different than actual product.
 Dimensions shown are maximum. Due to the nature of the materials involved, actual unit dimensions can vary (tolerances: +/-1/8 inch)
 Oasis reserves the right to modify or discontinue product and/or associated equipment without prior written or verbal notification or obligation.