

# 1-Piece Free-Standing Tub Installation



**Models: FSA-OV1P-5928CD / FSA-OV1P-5929CD / FSA-RE1P-5929CD  
FSA-OV1P-6729CD / FSA-OV1P-6730CD**

These guidelines are recommended for the proper installation of Oasis products. A careful review of these procedures (and any referenced publications) before starting is important in avoiding an improper assembly and/or installation.

NOTE: All illustrations and photos in this publication are typical, and may appear different than the actual product. Optional items may also be shown that were not ordered on the product being installed.

### Special Notes to Installer

◆ It is the sole responsibility of the installer to determine the requirements necessary for compliance with all code requirements!

◆ All paperwork packaged with the product should be saved and presented to the home owner upon completion of the installation!

◆ Any independent modifications made to the product (or any options / accessories supplied) beyond those required for normal installation can void all warranties! (Refer to warranties for further information)

◆ The drain and overflow are preinstalled. An adequate in-floor drain stub and water lines must be installed prior to securing the tub.

### INSTALLATION

**Remove the product from its packaging. Read the entire instructions prior to installing this product.**

1. Remove the packing board from the skirt by placing the bath and skirt assembly upside down and remove the four press-in fasteners.

**Caution: Place bath on a surface that will not scratch the acrylic surface.**

2. Ensure the legs are adjusted in line with the base of the tub bottom using a level or other straight edge. See Figure 1.
3. Check that the tub sits flat on the floor. If required, adjust the legs to compensate for an uneven floor. See Figure 2.
4. Set the tub in position and check for clearances and drain location..
5. Using a pencil trace the tub outline just enough to see the line. Figure 3.
6. Lift the tub off the tracing and apply a bead of silicone sealant approximately 3/4-inch to the inside of the tracing. Figure 4.
5. Reset the tub in place on top fo the silicone. Figure 5.

A floor mounted faucet must be positioned to allow for sufficient overhang into the well of the bath. This will ensure an unobstructed

Fig. 2

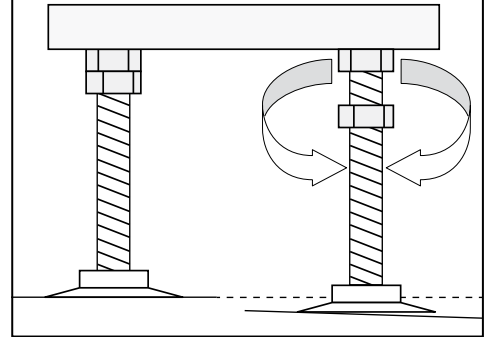


Fig. 3

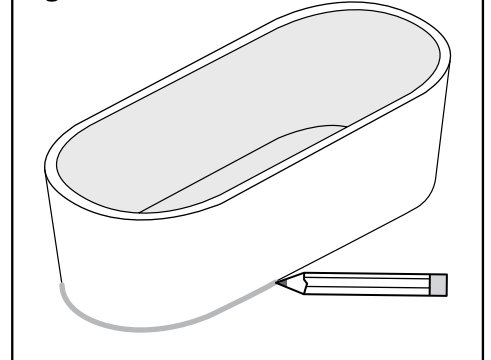


Fig. 4

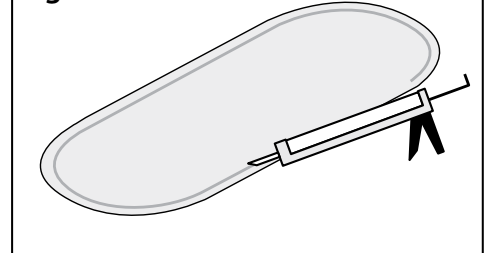
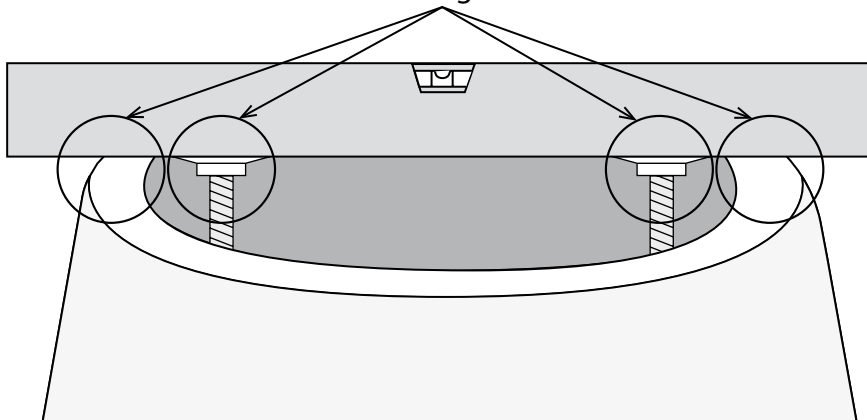


Fig. 1

Ensure Alignment



water flow out of the faucet when filling the bath. Follow the faucet manufacturer's installation instructions.

**It is recommended that the bath be water tested and inspected for leaks.**

---

## UNIT SURFACE CARE

---

**WARNING!**  
**NEVER USE ABRASIVE MATERIALS,**  
**OR ABRASIVE CLEANERS**  
**ON THE UNIT SURFACE!**

**EXTREME CAUTION is urged regarding**  
**the use of any cleaner, acid or solvent**  
**on the unit surface.**

**READ AND FOLLOW PACKAGE**  
**INSTRUCTIONS FOR ALL**  
**PURCHASED CLEANING PRODUCTS!**

Through routine use the surface can collect residues from soap, bath additives and natural body oils. Additional deposits can also collect from minerals or particles found in the water. After each use, wipe the excess water from the unit. This practice will reduce the buildup of deposits and help maintain the natural unit lustre.

Following a thorough surface cleaning, an application of quality automotive wax will help reduce major accumulations. The actual schedule for cleaning and waxing will depend on unit usage and water quality.

**WARNING!**  
**NEVER APPLY WAX TO THE FLOOR!**

◆ **Routine Cleaning:** Mild, non-abrasive cleaner specifically formulated for gelcoat and acrylic surfaces recommended. (Rinse surface thoroughly)

◆ **Heavy Soap Deposits:** Liquid ammonia household cleaner, applied full strength. (Rinse surface thoroughly)

◆ **Stubborn Stains:** Liquid household cleaner or hydrogen peroxide applied full strength. Place a saturated clean rag directly on stain and let stand several hours. (Rinse surface thoroughly)

◆ **Hard Water Scales:** Liquid scale remover or white vinegar, applied full strength. (Rinse surface thoroughly)

◆ **Mold/Mildew:** Liquid mildew remover or baking soda and water paste. (Apply paste and allow to fizz several minutes.) (Rinse surface thoroughly)

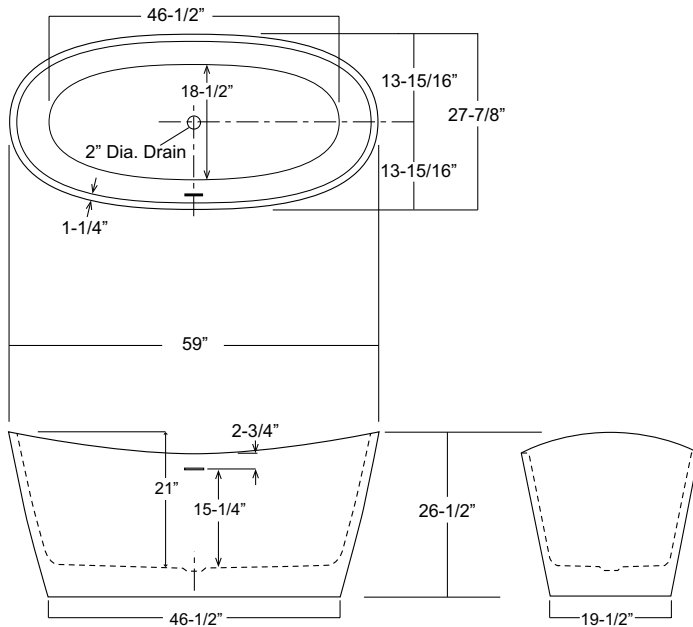
◆ **Construction Adhesive:** Soften with a hand held hair dryer and peel off adhesive. (Caution is advised when using any electrical device near water.)

For adhesive residue, apply rubbing alcohol or nail polish remover, full strength. (Rinse surface thoroughly)

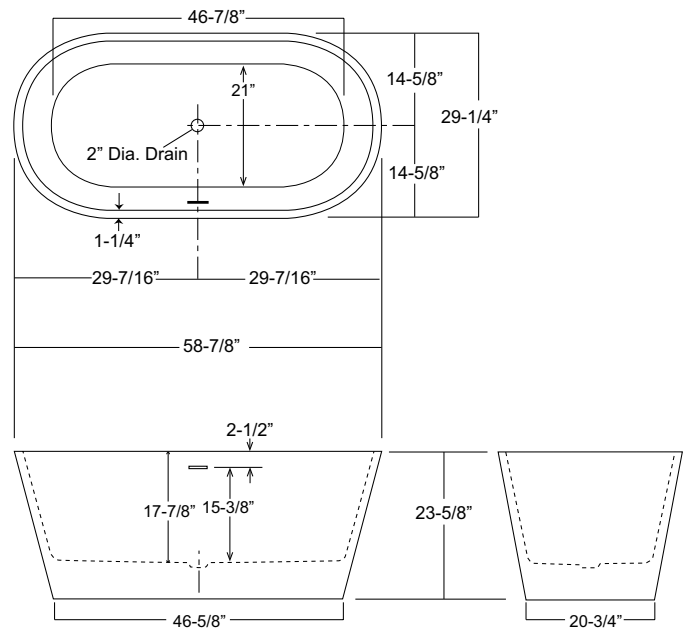
**WARNING!**  
**BATH MATS AND OTHER ITEMS**  
**HELD IN PLACE USING SUCTIONS**  
**MUST BE REMOVED FROM THE UNIT**  
**SURFACE AFTER EACH USE.**

**OVER AN EXTENDED PERIOD,**  
**FAILURE TO REMOVE**  
**SUCTION ATTACHED ITEMS**  
**WILL DAMAGE THE UNIT SURFACE.**

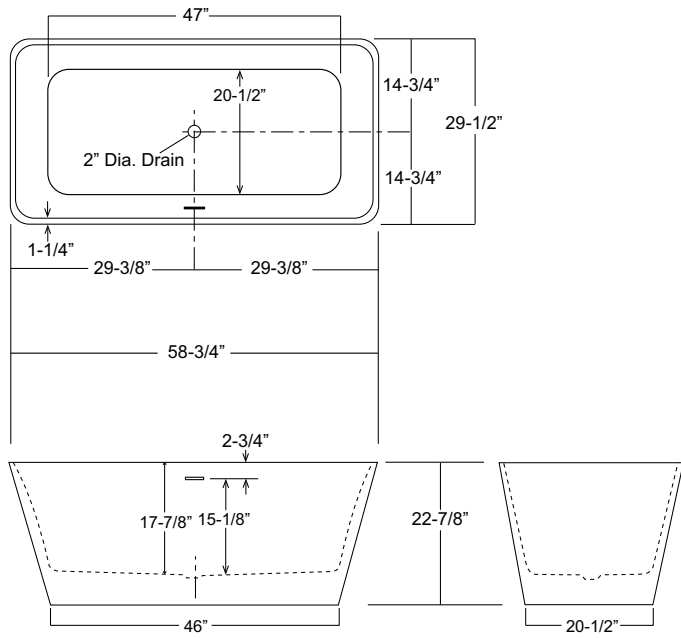
FSA-OV1P-5928CD



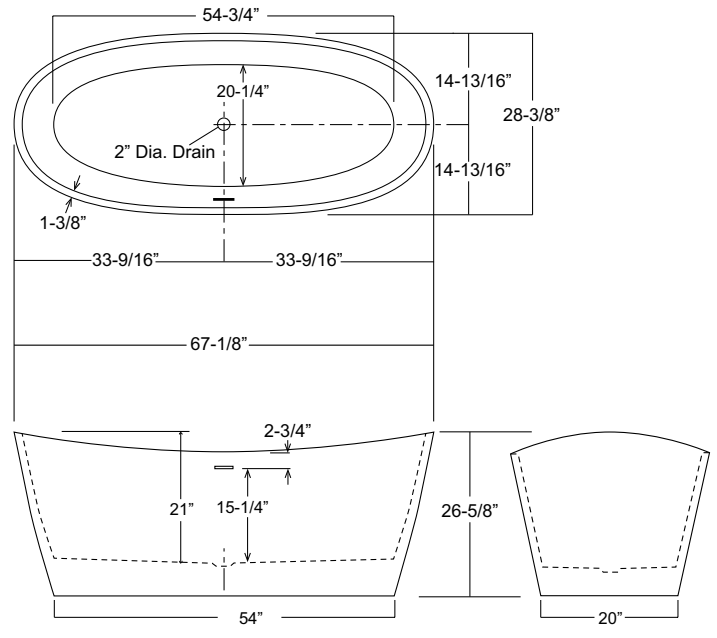
FSA-OV1P-5929CD



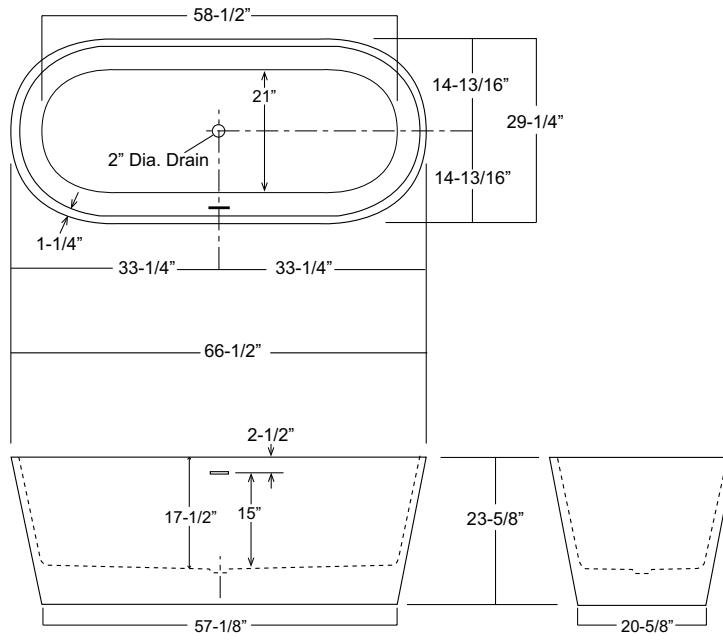
FSA-RE1P-5929CD



FSA-OV1P-6729CD



FSA-OV1P-6730CD





## Oasis Lifestyle Product Assurance Program

### **Bathing Unit Structure & Surface Finish Limited Warranty**

Oasis Lifestyle provides a performance assurance program for unit structural integrity and surface finish covering a one (1) year period from the date-of-purchase on one (1) piece, free standing VACUUM FORMED ACRYLIC product, for the original purchaser and subsequent consumer. This Oasis limited warranty program addresses specific defects in the product, and the workmanship associated with the manufacture of the Oasis bathing product. The specific defects covered must result in a significantly altered appearance and/or affect the intended performance standards for the product under normal residential use.

During the coverage period, Oasis will, at its discretion (following a verification by an authorized Oasis representative), either provide service or supply a replacement product without charge, but excluding any cost associated with the transportation, removal of and/or reinstallation of the unit (module). Failure to allow requested inspection by an authorized Oasis representative, and/or failure to provide adequate accessibility for an authorized inspection, and/or service performed prior to documented authorization from Oasis Lifestyle, LLC., may delay service, and/or possibly terminate any warranty coverage, and remove any liability to Oasis Lifestyle, LLC.


#### **This 'Product Assurance Program' does not cover service resulting the following:**

- a) Improper field installation of the product, system, option, accessory, and/or surrounding structure modifications, and/or utility service connections beyond the recommendations supplied by Oasis and within the scope of applicable codes and ordinances; or
- b) Carelessness, damage, abuse, misuse, negligence, improper care, fire, flood, or acts of God; or
- c) Non-conforming use, including any use beyond those intended for the product, system, option and/or accessory, including failure to follow the Prescribed Care and Maintenance Instructions; or
- d) Any unauthorized alterations or modifications to the product, system, option, accessory and/or the individual parts or components supplied by Oasis.
- e) Any surface and/or component staining, discoloration, component failure and/or build-up caused as a result of water chemistry or water quality at the site.
- f) Service resulting from normal use and wear for the product, system, option and/or accessory.

Repair or the supplying of replacement product and/or components, under this limited warranty program, shall be the exclusive remedy. Oasis Lifestyle, LLC., shall not be liable for any incidental or consequential damages, including damages to the building / structure, the contents, the occupants, or breach of any expressed or implied warranties. Oasis Lifestyle, LLC., does not recognize, nor authorizes any party to provide implied or written warranties regarding a product, system, option and/or accessories fitness for a particular purpose, nor modify the terms of the limited warranty beyond those stated.

Some states do not allow the exclusion or limitation of incidental or consequential damages, or allow limitations on the duration of any implied warranty. Therefore, the above exclusions and/or limitations may not apply.

THIS WARRANTY PROVIDES SPECIFIC LEGAL RIGHTS, WHICH CAN VARY FROM STATE-TO-STATE.



**Home Innovation  
LAB CERTIFIED™**

800.638.8556  
HomeInnovation.com

The manufacturer represents that the product to which this label is affixed (a) duplicates samples independently tested by Home Innovations Research Labs and certified to conform to the requirements of HUD UM Bulletin 73a and the appropriate ANSI Z124 and ASME A112.19.7 standards, and (b) has been manufactured under quality controls deemed appropriate by the manufacturer and periodically reviewed by the certifier.

Oasis Lifestyle, LLC  
Plymouth, IN  
6006




**Home Innovation  
LAB CERTIFIED™**

800.638.8556  
HomeInnovation.com

The manufacturer represents that the product to which this label is affixed (a) duplicates samples independently tested by Home Innovations Research Labs and certified to conform to the requirements of HUD UM Bulletin 73a and the appropriate ANSI Z124 and ICC/ANSI A117.1 standards, and (b) has been manufactured under quality controls deemed appropriate by the manufacturer and periodically reviewed by the certifier.

Oasis Lifestyle, LLC  
Plymouth, IN  
6006

