

## One-Piece Barrier-Free Shower Installations

# Oasis®

SHFW-3837 (all versions)  
SHFW-4836 (all versions)  
SHFW-5038 (all versions)  
SHFW-6235 (all versions)

SHMD-6232 (all versions)  
SHMD-6238 (all versions)



These guidelines are recommended for the proper installation of Oasis products. A careful review of these procedures (and any referenced publications) before starting is important in avoiding an improper assembly and/or installation.

NOTE: All illustrations in this publication are typical, and may appear different than the actual product. Optional items may also be shown that were not ordered on the product being installed.

### Special Notes to Installer

- ◆ It is the sole responsibility of the installer to determine the requirements necessary for compliance with all installation code requirements!
- ◆ All paperwork packaged with the product should be saved and presented to the home owner upon completion of the installation!
- ◆ All published product dimensions are for reference only. Any critical dimensions required for installation should be taken directly from the product being installed!
- ◆ Any independent modifications made to the product (or any options / accessories supplied) beyond those required for normal installation can void all warranties! (Refer to warranties for further information)

### INSPECTION GUIDELINES

Carefully check the unit upon receipt. Notify your supplier immediately if any questions or problems are encountered during this process.

### **DO NOT INSTALL PRODUCT WITHOUT FIRST ADDRESSING QUESTIONS WHICH ARISE DURING THE INSPECTION!**

#### Basic Module Check

- Check unit drain position for match to bathroom drain location.
- Check unit for surface damage.
- Check unit color for coordination to other bathroom fixtures.
- Check unit for specified optional items and/or packages.

### INSTALLATION SITE FRAMING

Framing and dimensional requirements shown are for a traditional application and may vary based on site requirements.

The dimensions shown in the dimensional diagram(s) are from the surfaces where the unit will be attached (illustrations 1a, b, & c). This surface can be bare studding, dry wall or other suitable underlayment material. It is important that the floor and all framing be square and level. Framing must be done

using accepted materials and construction techniques in accordance with all applicable codes for the site.

NOTE: Any pre-constructed wall(s) may require modification or additional framing to allow for factory applied pipes and/or fittings which may protrude from the unit.

### INSTALLATION PROCEDURE

#### SPECIAL INSTALLATION NOTE:

Our minimal threshold shower stall design does not require a floor recess. The normal installation will have small irregular spaces between the underside of the shower and the sub-floor, where a non-shrinking leveling material, followed by the use of weight across the shower floor during the curing process, is required to fill the voids. A proper installation will fill only the voids without creating unwanted upward distortion in the designed floor slope required for proper drainage. Properly filling the voids is important in addressing repeated long-term weight transfer from wheelchairs, along with proper drainage.

In addition, the floor drain cutout for a minimal threshold shower must be large enough to allow the shower floor to retain the designed continuous slope to the drain. The application of the drain connection is also critical for proper installation. The posi-

tion of the drain and connections must not allow the shower floor to be pushed upward. Any upward distortions created by the filler material, the sub-floor or the drain assembly on the shower floor will compromise drainage. (illust. 1c & 2)

**Confirm drain fitting and drain pipe alignment prior to application of leveling material in the alcove.**

- Before placing unit in the framed alcove, spread a 1/8" to 1/4" layer of leveling material around the drain cutout, extending out to the perimeter of the alcove area (illust. 2).
- Install the drain fitting to the drain opening of the unit.  
DO NOT STAND THE SHOWER UNIT ON THE DRAIN FITTING!
- Position the unit directly on the leveling material checking for proper drain fitting and drain pipe alignment (illust. 3).
- Confirm the threshold and floor mounting flange are resting flush on the floor.
- Confirm the unit is level along each side and across each end (illust. 4).

Drill a 1/8" hole through the nailing flange at each framing member approximately every 8-inches. Secure the unit in place

across the back wall first, followed by the ends, then along the front vertical flanges using 1-1/4" long nails or other appropriate fasteners (illust. 5 & 6). Finish by attaching the floor flange to the room floor. Continually check to make sure the unit remains plumb within the alcove as it is being secured.

**WARNING!**  
**THE INSIDE UNIT SURFACE SHOULD BE CLEAR OF ALL LOOSE DEBRIS AND THE SURFACE PROTECTED BEFORE STEPPING INSIDE.**

NOTE: The use of a shims behind the nailing flange may be required to ensure the unit remains square. Usage of a thin shield to protect the unit surface while fastening the mounting flanges to the framing is recommended.

Protect the shower floor surface and apply weight on top of the drain until leveling material cures. (illust. 7).

**Water Supply and Drain Connections**

Refer to, and follow, the assembly and installation instructions provided with the supply valves and drain system. Carefully check all connections for leaks.

**Finishing Guidelines**

Filler strips or filler material may be required over the framing to ensure the under layment mounts flush over the wall flanges. A water resistant under layment is recommended surrounding the unit. Stop the under layment 1/16 to 1/8-inch from the unit surface, and fill the space with a continuous bead of water resistant sealant. (Illust. 8)

NOTE: Oasis recommends a high quality silicone based sealant with a mold and mildew resistant content.

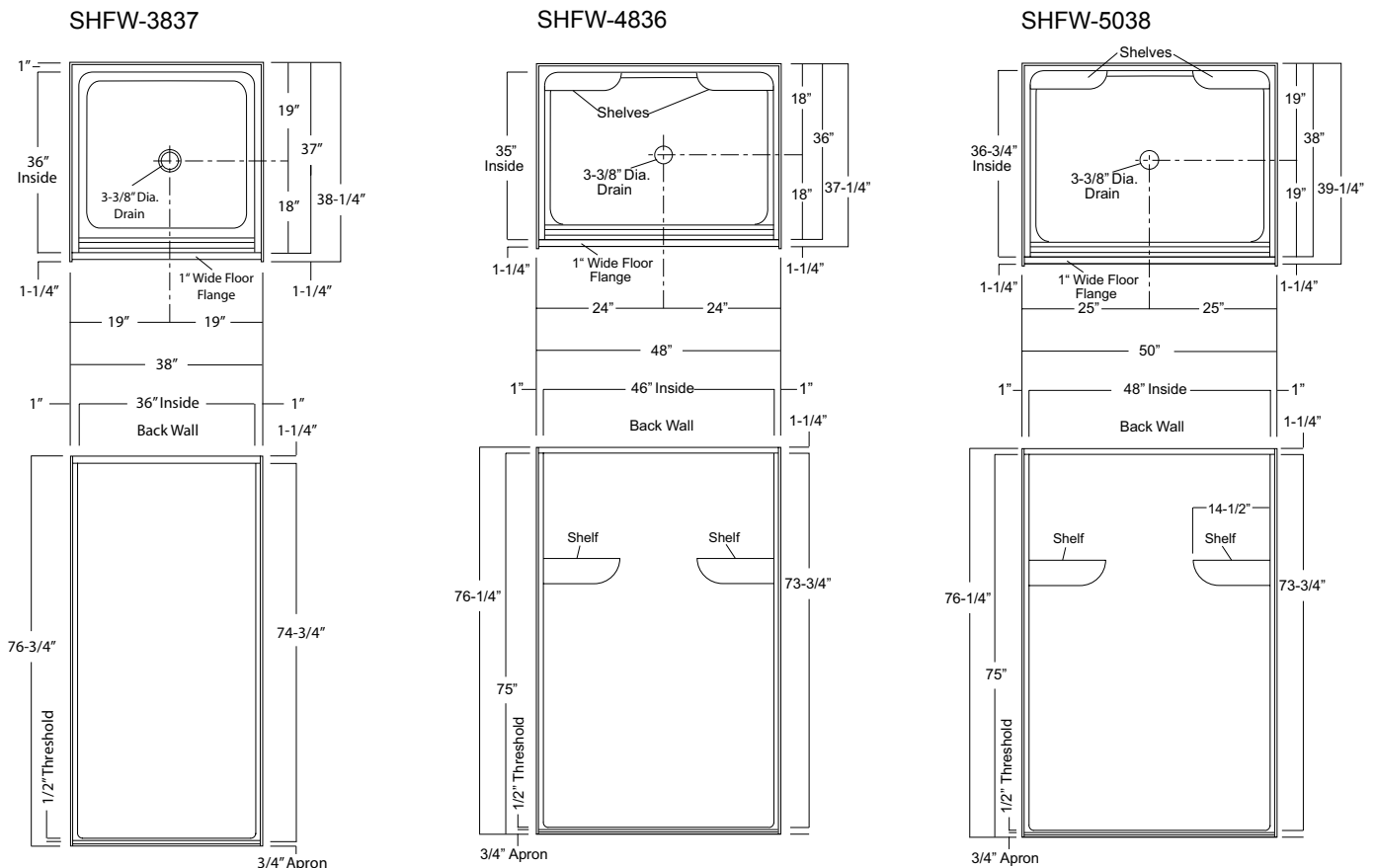
It will be necessary to install the finished floor material over the floor flanges to create a finished look (illust. 9a, b & c).

Use care when fastening the under layment near the unit surface to avoid damage. Seal the under layment seams and edges, as required, and install the finish material to specifications.

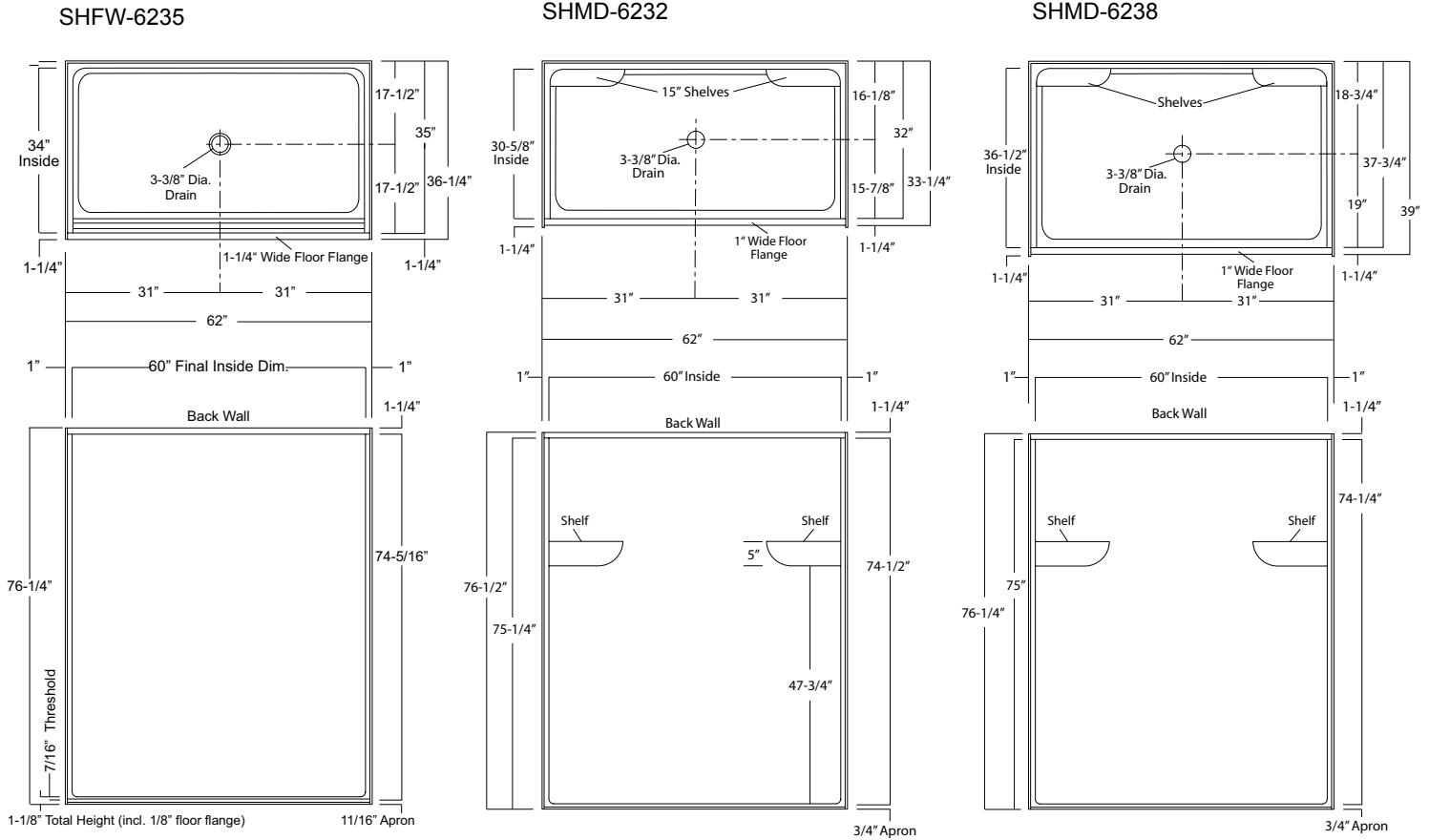
**UNIT SURFACE CARE**

**WARNING!**  
**NEVER USE ABRASIVE MATERIALS, OR ABRASIVE CLEANERS ON THE UNIT SURFACE!**

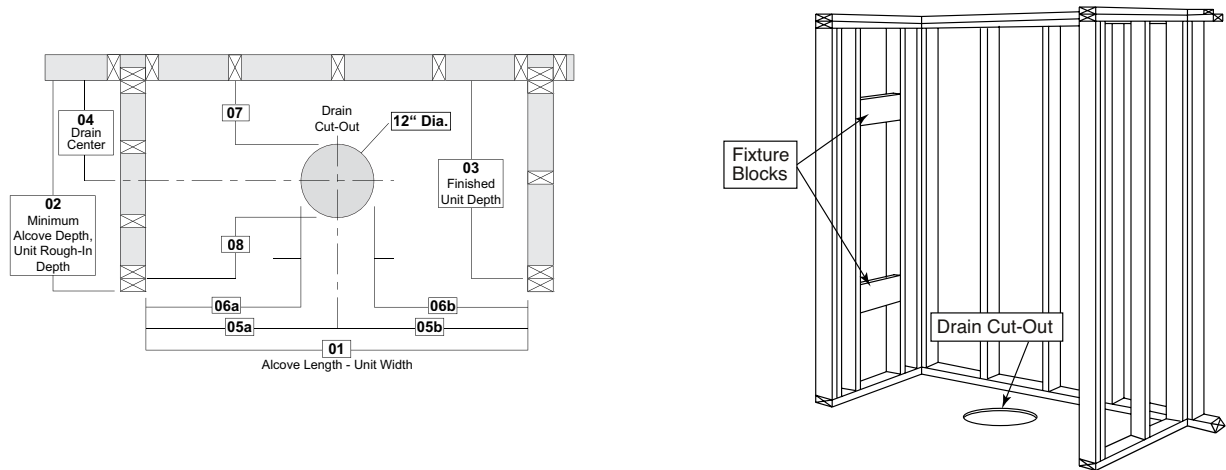
**Illustration 1a - Ramped Threshold, Center Drain, Unit Dimension & Alcove Framing Guidelines (dimensional tolerance + / - 1/8")**



**Illustration 1b - Minimal Threshold, Center Drain, Unit Dimension & Alcove Framing Guidelines (dimensional tolerance + / -1/8")**



**Illustration 1c - Unit Dimension & Alcove Framing Guidelines (dimensional tolerance + / -1/8")**



Model	01	02	03	04	05a	05b	06a	06b	07	08
SHFW-3837	38"	38-1/4"	37"	19"	19"	19"	13"	13"	13"	12"
SHFW-4836	48"	37-1/4"	36"	18"	24"	24"	18"	18"	12"	12"
SHFW-5038	50"	39-1/4"	38"	19"	25"	25"	19"	19"	13"	13"
SHFW-6235	62"	36-1/4"	35"	17-1/2"	31"	31"	25"	25"	11-1/2"	11-1/2"
SHMD-6232	62"	33-1/4"	32"	16-1/8"	31"	31"	25"	25"	10-1/8"	9-7/8"
SHMD-6238	62"	39"	37-3/4"	18-3/4"	31"	31"	25"	25"	12-3/4"	13"

**EXTREME CAUTION is urged regarding the use of any cleaner, acid or solvent on the unit surface.**

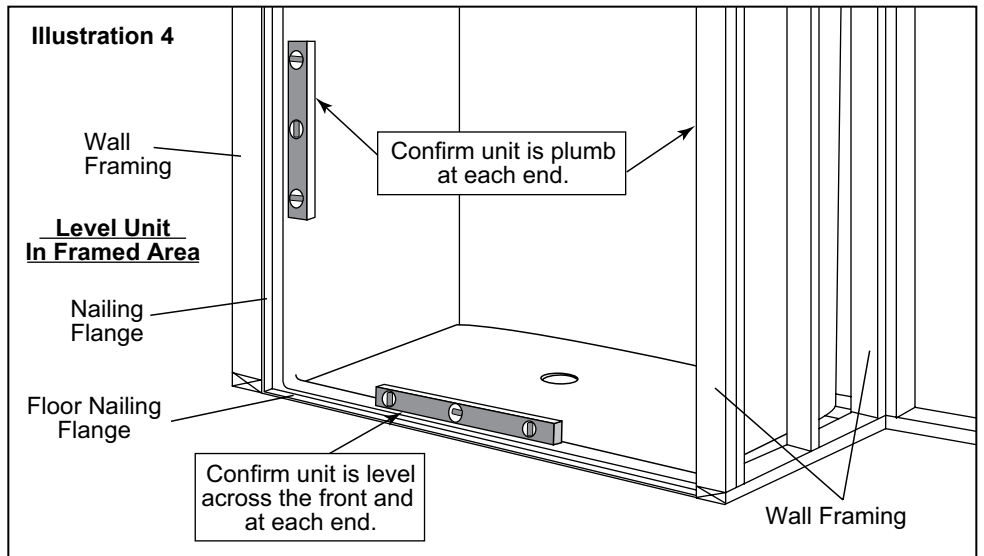
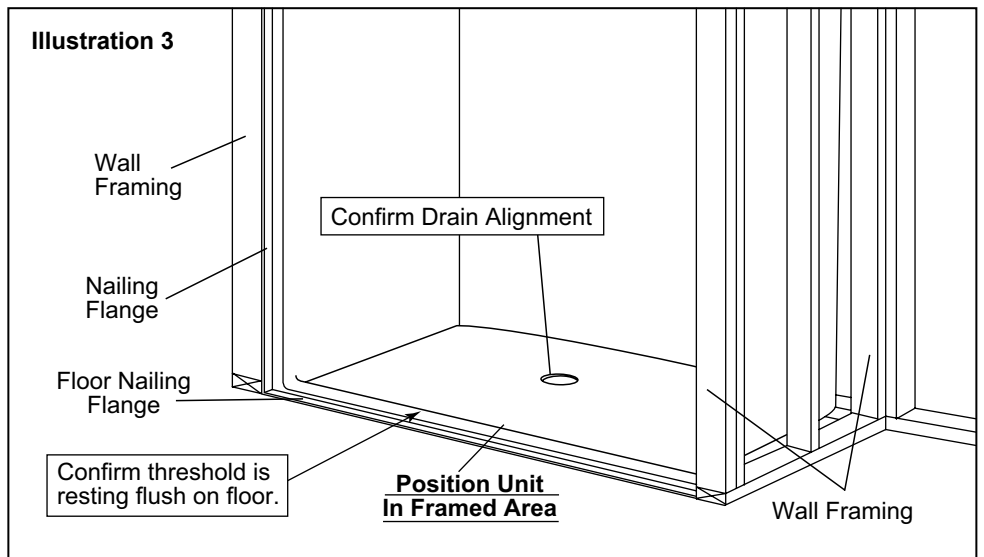
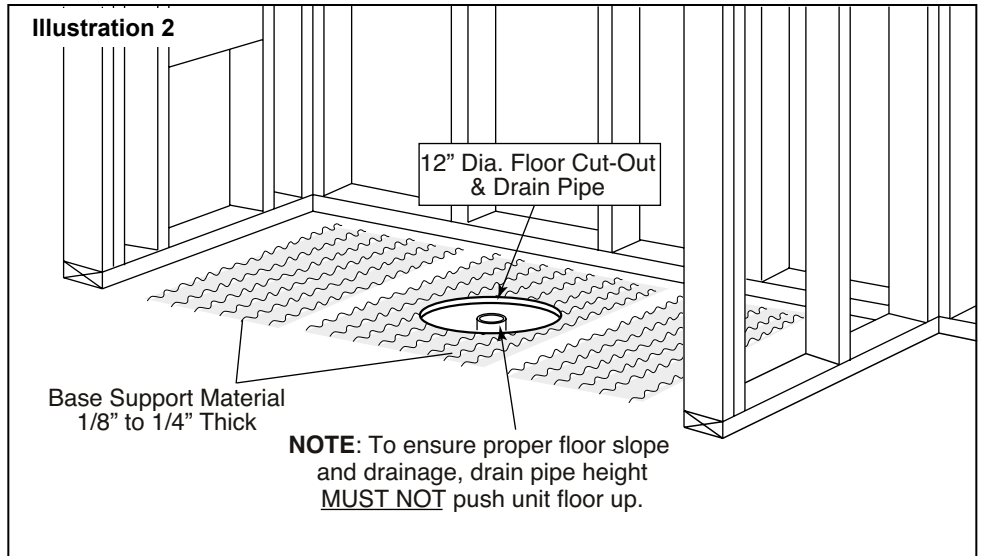
**READ AND FOLLOW PACKAGE INSTRUCTIONS FOR ALL PURCHASED CLEANING PRODUCTS!**

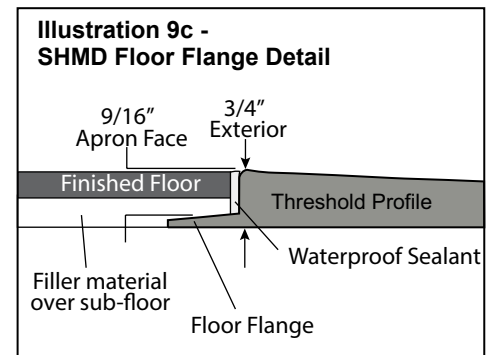
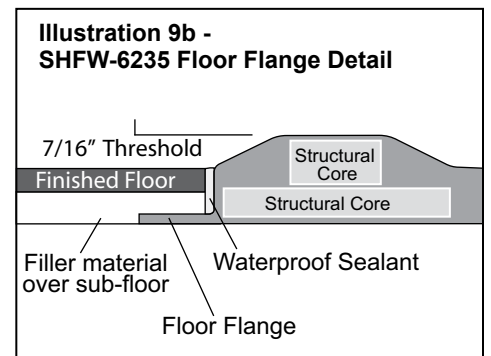
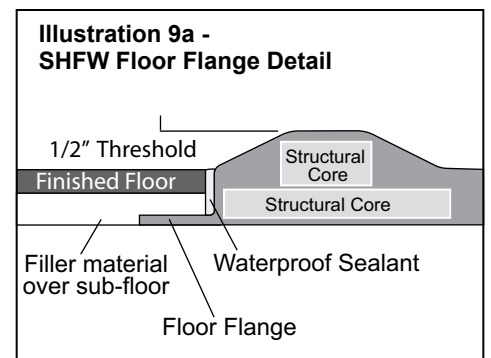
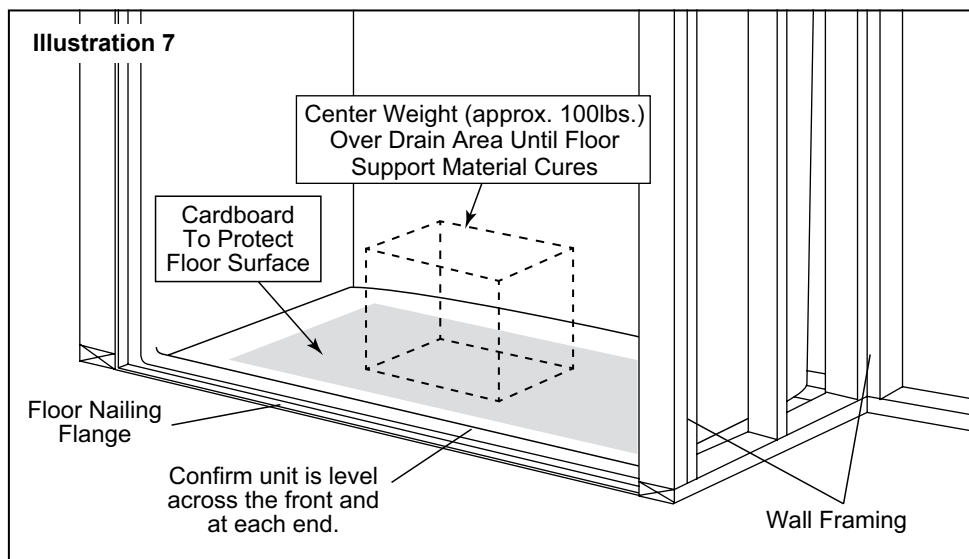
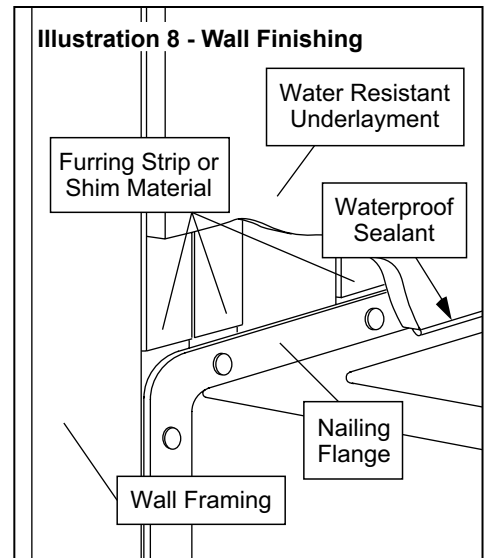
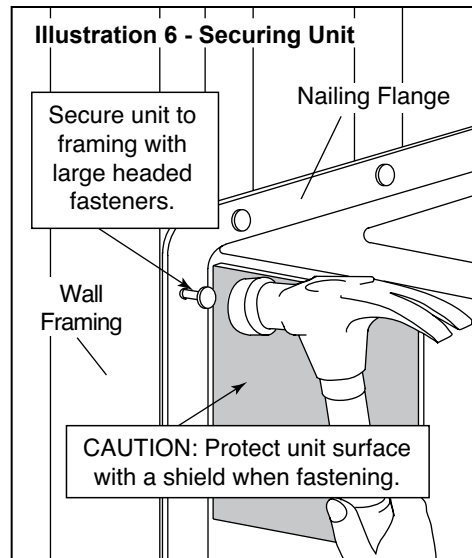
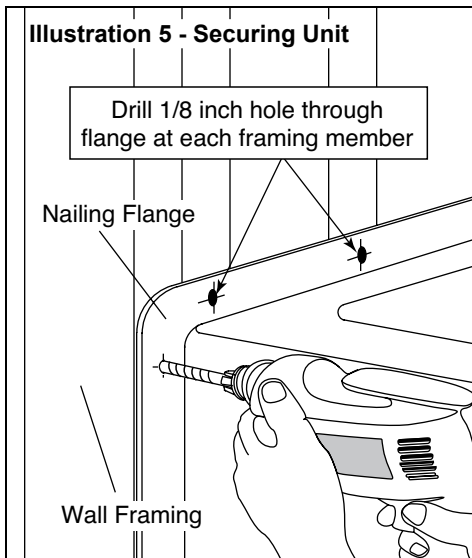
Through routine use, the unit surface can collect residues from soap, bath additives and natural body oils. Additional deposits can also collect from minerals or particles found in the water. After each use, wipe the excess water from the unit. This practice will reduce the buildup of deposits and help maintain the natural unit lustre.

Following a thorough surface cleaning, an application of quality automotive wax will help reduce major accumulations. The actual schedule for cleaning and waxing will depend on unit usage and water quality.

**WARNING!**  
**NEVER APPLY WAX TO THE UNIT FLOOR!**

- ◆ **Routine Cleaning:** Mild, non-abrasive cleaner specifically formulated for gelcoat and acrylic surfaces recommended. (Rinse surface thoroughly)
  - ◆ **Heavy Soap Deposits:** Liquid ammonia household cleaner, applied full strength. (Rinse surface thoroughly)
  - ◆ **Stubborn Stains:** Liquid household cleaner or hydrogen peroxide applied full strength. Place a saturated clean rag directly on stain and let stand several hours. (Rinse surface thoroughly)
  - ◆ **Hard Water Scales:** Liquid scale remover or white vinegar, applied full strength. (Rinse surface thoroughly)
  - ◆ **Mold/Mildew:** Liquid mildew remover or baking soda and water paste. (Apply paste and allow to fizz several minutes.) (Rinse surface thoroughly)
  - ◆ **Construction Adhesive:** Soften adhesive with a hand held hair dryer and peel off adhesive. (Caution is advised when using any electrical device near water.)
- For adhesive residue, apply rubbing alcohol or nail polish remover, full strength. (Rinse surface thoroughly)





**WARNING!**  
**BATH MATS AND OTHER ITEMS HELD IN PLACE USING SUCTIONS**  
**MUST BE REMOVED FROM THE UNIT SURFACE AFTER EACH USE.**

**OVER AN EXTENDED PERIOD, FAILURE TO REMOVE**  
**SUCTION ATTACHED ITEMS WILL DAMAGE THE UNIT SURFACE.**



## Oasis Lifestyle Product Assurance Program

### **Bathing and Shower Unit Structure & Surface Finish Limited Warranty**

Oasis Lifestyle provides a performance assurance program for unit structural integrity and surface finish covering a five (5) year period from the date-of-purchase on GELCOAT, and covering a ten (10) year period from the date-of-purchase on VACUUM FORMED ACRYLIC product, for the original purchaser and subsequent consumer. This Oasis limited warranty program addresses specific defects in the product, and the workmanship associated with the manufacture of the Oasis bathing and shower product. The specific defects covered must result in a significantly altered appearance and/or affect the intended performance standards for the product under normal residential use.

### **Hydro-Massage Systems (water recirculation & air), Option & Accessories Limited Warranty**

Oasis Lifestyle provides a performance assurance program for their hydro-massage systems (herein called 'system'), and their options and accessories covering a two (2) year period from the date-of-purchase for the original purchaser and subsequent consumer. This Oasis limited warranty program addresses specific defects in the system components, and the workmanship associated with the assembly of the systems, along with offered options and accessories installed by Oasis, on an Oasis unit. The specific defects covered must result in a significantly altered appearance and/or affect the intended performance standards for the system, the option and/or the accessory.

During the coverage period, Oasis will, at its discretion (following a verification by an authorized Oasis representative), either provide service or supply a replacement product without charge, but excluding any cost associated with the transportation, removal of and/or reinstallation of the unit (module). Failure to allow requested inspection by an authorized Oasis representative, and/or failure to provide adequate accessibility for an authorized inspection, and/or service performed prior to documented authorization from Oasis Lifestyle, LLC., may delay service, and/or possibly terminate any warranty coverage, and remove any liability to Oasis Lifestyle, LLC.

#### **This 'Product Assurance Program' does not cover service resulting the following:**

- a) Improper field installation of the product, system, option, accessory, and/or surrounding structure modifications, and/or utility service connections beyond the recommendations supplied by Oasis and within the scope of applicable codes and ordinances; or
- b) Carelessness, damage, abuse, misuse, negligence, improper care, fire, flood, or acts of God; or
- c) Non-conforming use, including any use beyond those intended for the product, system, option and/or accessory, including failure to follow the Prescribed Care and Maintenance Instructions; or
- d) Any unauthorized alterations or modifications to the product, system, option, accessory and/or the individual parts or components supplied by Oasis.
- e) Any surface and/or component staining, discoloration, component failure and/or build-up caused as a result of water chemistry or water quality at the site.
- f) Service resulting from normal use and wear for the product, system, option and/or accessory.

Repair or the supplying of replacement product and/or components, under this limited warranty program, shall be the exclusive remedy. Oasis Lifestyle, LLC., shall not be liable for any incidental or consequential damages, including damages to the building / structure, the contents, the occupants, or breach of any expressed or implied warranties. Oasis Lifestyle, LLC., does not recognize, nor authorizes any party to provide implied or written warranties regarding a product, system, option and/or accessories fitness for a particular purpose, nor modify the terms of the limited warranty beyond those stated.

Some states do not allow the exclusion or limitation of incidental or consequential damages, or allow limitations on the duration of any implied warranty. Therefore, the above exclusions and/or limitations may not apply.

THIS WARRANTY PROVIDES SPECIFIC LEGAL RIGHTS, WHICH CAN VARY FROM STATE-TO-STATE.

