

BUILDER SERIES



Home Innovation
LAB CERTIFIED™

Oasis



60-INCH WIDE MODEL

Vincennes 1 (Self-Rimming)

Unit Dimensions

60" wide x 42" deep x 23-1/2" high (24-3/4" w. neck rest)

Unit Features

- Vacuum Formed Acrylic
- 2" Dia. Side Drain (see reverse side for location)
- 2-1/2" Dia. Overflow (see reverse side for location)
- Twin, Contoured Armrests (at each end)
- Contoured Neck Rest (at each end)
- Pre-Leveled Fiberglass Base System
- Textured Floor Pattern

Special Notes

- Whirlpool System Available (see reverse side for details)
- Air System Available (see reverse side for details)
- UL Listed Whirlpool & Air Systems Available
- Available Only In White (WHT) & Biscuit (BSC) Colors

Unit / System Order Number

Acrylic: HG-480 / OND (soaking tub)
HG-480 / CWS (Carress System)
HG-480 / AR2 (Revive Aire System)

System Trim

Standard CWS Trim (order code): White trim on White unit (WHT) - Biscuit trim on Biscuit unit (BSC)

Order Number / Description

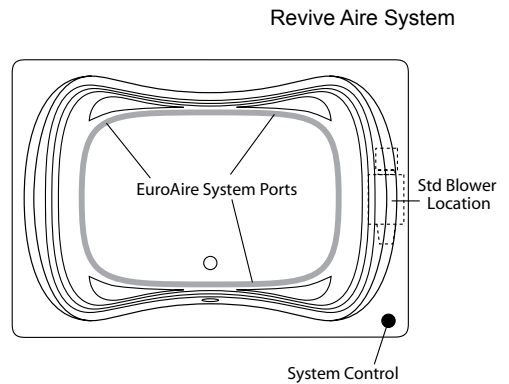
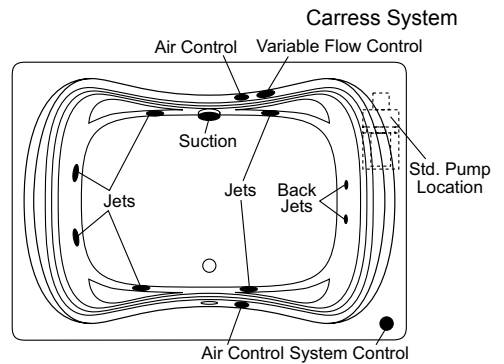
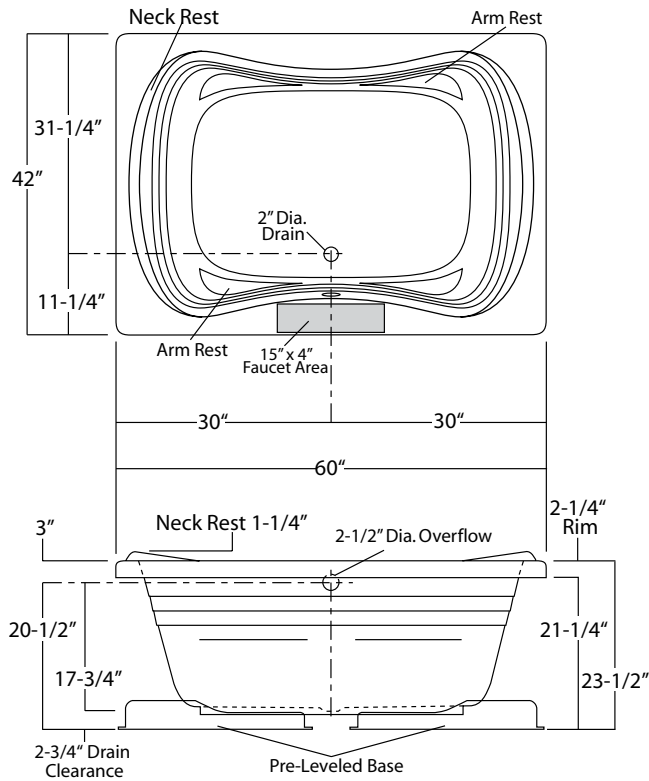
CWS: *Carress System* includes: 6-Adjustable side jets, 2-rotating foot jets, 4-micro pulse back jets, variable flow control, twin air controls, electronic system control, and a 13.0 amp pump/motor.

Options: In-Line Heater (1*) (order: ILH)
 Trim Upgrade (1*)
 Chrome (order: CWS-CHR)
 Brushed (Satin) Nickel (order: CWS-SNK)

Order Number / Description

AR2: *Revive Air System* includes: (35) Perimeter air ports, electronic system control, and a 12.0 amp, 600-watt blower with ceramic heater.

Notes: (1*) Factory installed options
 (2*) Includes system control upgrade



Sump Dimen: 42-1/2" long x 29" wide x 20-1/2" deep
 Sump Capacity: 83 gal. (unoccupied - to overflow)
 Whirlpool Operating: 48 gal.

Photographic images may include optional components and appear different than actual product.
 Dimensions shown are maximum. Due to the nature of the materials involved, actual unit dimensions can vary (tolerances: +/-1/8 inch)
 Oasis reserves the right to modify or discontinue product and/or associated equipment without prior written or verbal notification or obligation.