

# ISLAND SERIES BATH

**Oasis**



**Home Innovation**  
LAB CERTIFIED™



67-INCH MODEL

**FSA-OV1P-6729CD**

Finished Dimensions

67-1/8" long x 28-3/8" wide x 26-5/8" high

### Unit Features

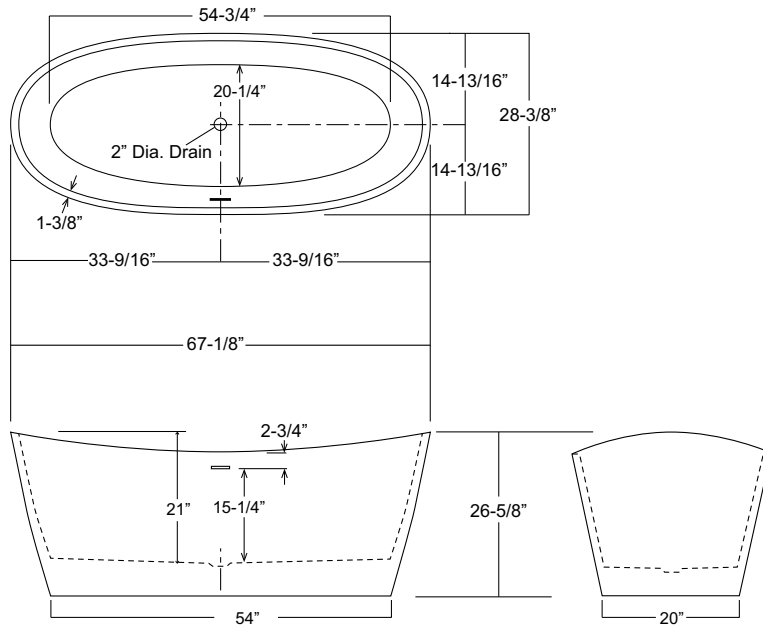
- Vacuum Formed White Acrylic
- Single-Piece Design
- 2" Dia. Center Drain (see reverse side for location)
- 3-1/2" Slotted Overflow (see reverse side for location)
- Raised Neck Area
- Extra Deep Bathing Sump
- Concealed Adjustable Leveling Legs

### Special Notes

- Includes White Center Toe-Tap Drain Assembly & Built-In Integral Overflow

### Acrylic Unit / System Order Number

FSA-OV1P-6729CD WHT (center drain - soaking tub)



Sump Bottom Dimen: 54-3/4" long x 20-1/4" wide x 18" deep  
Sump Capacity: 66 gal. (unoccupied - to overflow)  
Whirlpool Operating: NA