

ISLAND SERIES BATH

Oasis



Home Innovation
LAB CERTIFIED™



59-INCH MODEL

FSA-OV1P-5929CD

Finished Dimensions

58-7/8 long x 29-1/4" wide x 23-5/8" high

Unit Features

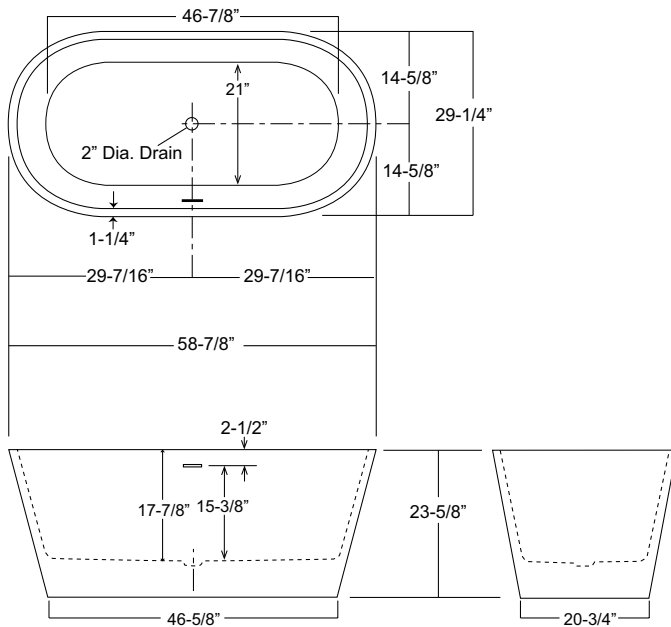
- Vacuum Formed White Acrylic
- Single-Piece Design
- 2" Dia. Center Drain (see reverse side for location)
- 3-1/2" Slotted Overflow (see reverse side for location)
- Extra Deep Bathing Sump
- Concealed Adjustable Leveling Legs

Special Notes

- Includes White Center Toe-Tap Drain Assembly & Built-In Integral Overflow

Acrylic Unit / System Order Number

FSA-OV1P-5929CD WHT (center drain - soaking tub)



Sump Bottom Dimen: 46-7/8" long x 21" wide x 17-7/8" deep
 Sump Capacity: 69 gal. (unoccupied - to overflow)
 Whirlpool Operating: NA

Photographic images may include optional components and appear different than actual product.
 Dimensions shown are maximum. Due to the nature of the materials involved, actual unit dimensions can vary (tolerances: +/- 1/8 inch)
 Oasis reserves the right to modify or discontinue product and/or associated equipment without prior written or verbal notification or obligation.