

STYLLIS SERIES BATH

Oasis



Home Innovation
LAB CERTIFIED™



60-INCH WIDE MODEL

BA-S-6042 (Splash, Tile Flange, Full Apron)

Rough-In Dimensions	BA-6042	60" wide x 43-1/4" deep x 25" high (w/ 18-1/4-inch apron)
---------------------	---------	---

Finished Dimensions	BA-6042	60" wide x 42" deep x 23-3/4" high (w/ 18-1/4-inch apron)
---------------------	---------	---

Unit Features

- Sanitary Grade Polyester Gelcoat Surface
- 2" Dia. RH or LH Drain (see reverse side for location)
- 2-1/2" Dia. Overflow (see reverse side for location)
- Integral Tile Flange & Full Apron
- Contoured Neck Rest
- Extra Deep Bathing Sump
- Pre-Leveled Block Base System (IF version)
- Balsa Wood Core Floor Structure
- Textured Floor Pattern

Special Notes

- Optional ABF Version (provides 3-1/2-inches of drain clearance)
- UL Listed Hydrotherapy Systems

Gelcoat Unit / System Order Number

BA-S-6042 R/L Drain (soaking tub)
BA-S-6042 R/L Drain ABF (soaking tub)
BA-S-6042 R/L Drain / VHS (Villa System)
BA-S-6042 R/L Drain ABF / VHS (Villa System)
BA-S-6042 R/L Drain / IHS (InVigor System)
BA-S-6042 R/L Drain ABF / IHS (InVigor System)

System Trim

Standard VHS & IHS Trim (order code): White trim on White unit (WHT)

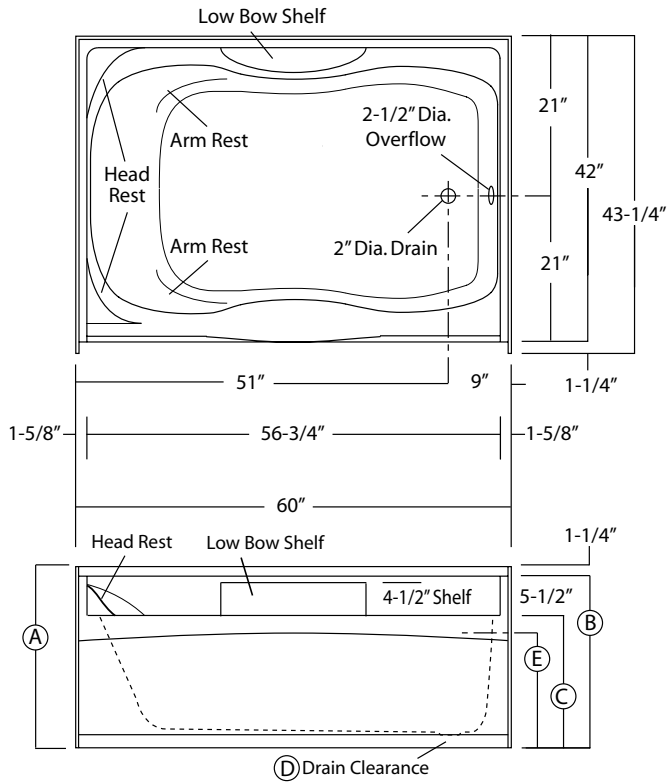
Order Code / Description

IHS *InVigor Hydrotherapy System*: All white components including, (4) Slimline adjusta-flo, multi-directional jets, (4 on sides / 2 on drain end), (2) Slimline micro back jets, variable flow control, twin air controls, electronic system control with 20-min timer, and 13.0 amp pump.

VHS: *Villa Hydrotherapy System*: All white components including, (8) Slimline micro jets, pneumatic system control, and 7.50 amp pump.

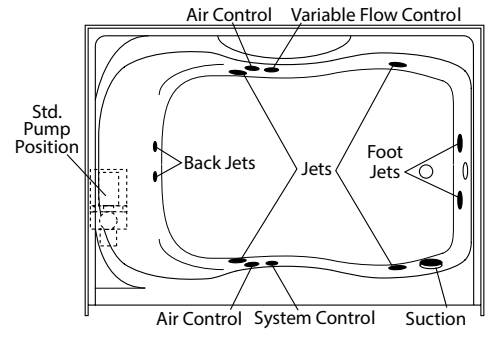
Order Code / Description

Options: **CHR** Chrome Jet Trim Ring Upgrade (IHS only)
ILH: In-Line Heater (factory installed)
MP/B: Alternate Pump Location (site installed)
AP-60: Removable Gelcoat Apron Panel

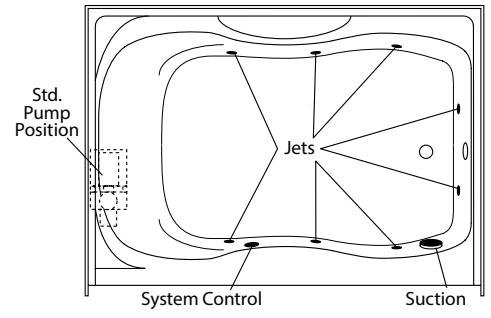


	Std Unit	ABF Unit
A	25"	26-3/4"
B	23-3/4"	25-1/2"
C	18-1/4"	20"
D	1-3/4"	3-1/2"
E	16"	17-3/4"
F	-	-

InVigor Hydrotherapy System



Villa Hydrotherapy System



BA-S-6042R (illustrated)
 Sump Bottom Dimen: 46-1/2" long x 29-1/4" wide x 15-3/4" deep (middle)
 Sump Capacity: 72 gal. (unoccupied - to overflow)
 Whirlpool Operating: 52 gal.

Photographic images may include optional components and appear different than actual product. Dimensions shown are maximum. Due to the nature of the materials involved, actual unit dimensions can vary (tolerances: +/-1/8 inch) Oasis reserves the right to modify or discontinue product and/or associated equipment without prior written or verbal notification or obligation.