

### Whirlpool Electrical Specifications

Oasis tubs are offered with several systems, resulting in numerous hydro-massage configurations. Electrical requirements for Oasis Lifestyle systems are outlined in this document. Any on-site modifications of the whirlpool system, electrical components and/or incorrect required electrical needs, is not the responsibility of Oasis Lifestyle, LLC.

#### UNIT INSPECTION GUIDELINES

##### Basic Unit Check

An individual checklist is provided with every unit. Refer to the listed publication for further information before continuing.

**WARNING!**  
**NEVER LIFT OR HANDLE WHIRLPOOL BY SYSTEM PIPING AT ANY TIME. LIFTING THE UNIT BY THE PIPING CAN CAUSE SYSTEM DAMAGE.**

##### SPECIAL NOTE TO INSTALLER

\* It is the sole responsibility of the installer to determine, prior to installation, the requirements necessary for compliance with all codes involving the unit and the installation!

\* All paperwork packaged with the unit and any associated options or accessories should be saved and given to the homeowner upon completion of the installation!

\* All published unit dimensions are for reference only. Any critical dimensions required for installation should be taken directly from the unit being installed!

\* Any independent changes made to the whirlpool system (or unit) beyond those required for normal installation can void all warranties! (Refer to warranties for further information.)

A careful check of the whirlpool system should be conducted upon delivery of the unit. Notify your supplier immediately if any questions or problems are encountered during this process.

**DO NOT INSTALL THE UNIT WITHOUT FIRST ADDRESSING QUESTIONS WHICH ARISE DURING THE INITIAL INSPECTION!**

##### Basic Whirlpool System Check

- ✓ Check all control panel wire leads or air tube for secure attachment to control box or pump.
- ✓ Check the system to ensure that all trim is accounted for and the correct finish.
- ✓ Check for factory installed components

#### INSTALLATION INSTRUCTIONS

Framing and dimensional requirements are provided in the installation guidelines packaged with each unit. Refer to the unit guidelines for further information before continuing.

The basic whirlpool system is manufactured with the pump secured to the unit and the complete system assembled at the factory.

For specific floor loading specifications, refer to the individual unit installations.

**WARNING!**  
**ADEQUATE ACCESS MUST BE PROVIDED AT THE PUMP LOCATION.**

##### Electrical Service & Connections

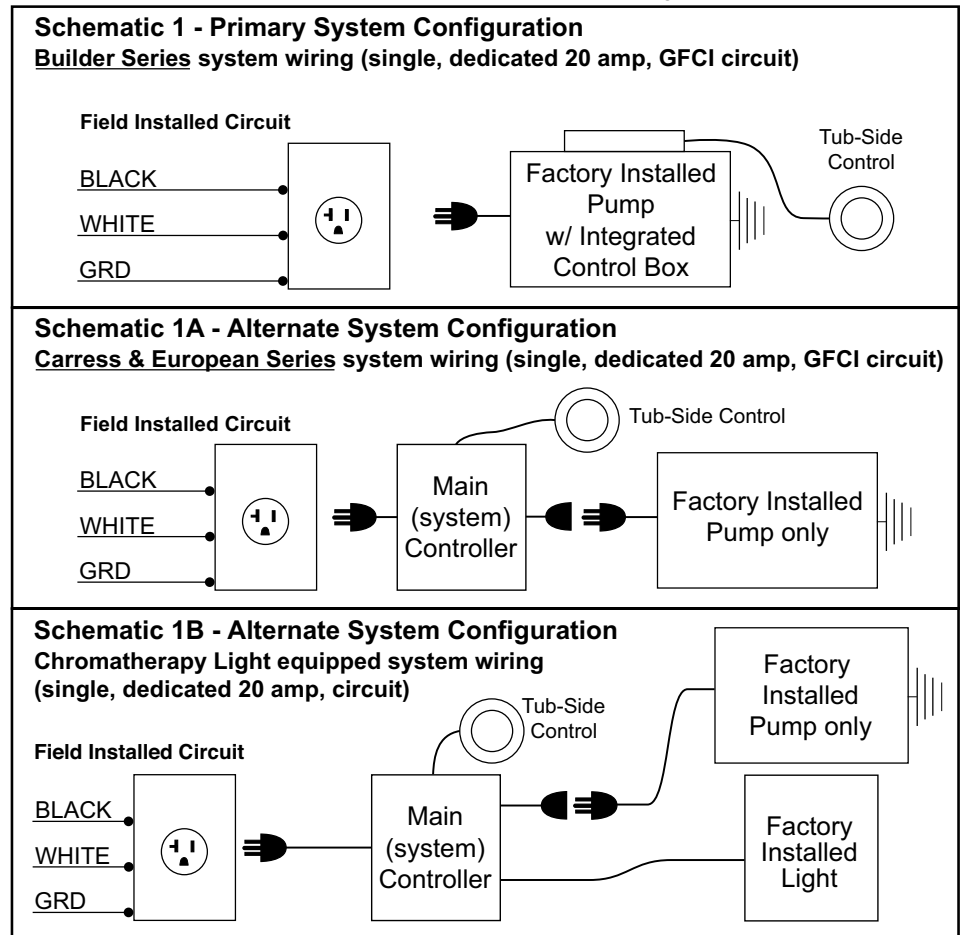
When providing electric service, basic precautions should be observed, including the following:

1. All wiring should be done by a licensed electrician in accordance with all local and national codes for the installation site.
2. The system(s) must be connected to a dedicated circuit(s) protected by a ground-fault circuit interrupter(s), (GFCI). *(Installer supplied)*
3. Properly ground the system!
4. All building materials and wiring should be routed away from the pump body and/or other heat-producing components of the unit.

**WARNING!**  
**RISK OF ELECTRICAL SHOCK! MAKE SURE POWER IS OFF WHEN WIRING THE SYSTEM CIRCUITS.**

##### System Wiring

The field electrical connection is a single dedicated service line, protected by a 20 amp, ground-fault circuit-interrupter (GFCI) breaker, running from the main panel to



### Whirlpool Electrical Specifications

an independently mounted junction box with a 20 amp electrical receptacle. Junction box mounting and all field electrical connections must be in compliance with all applicable codes for the installation site (schematics 1, 1A, 1B, 1C, or 2).

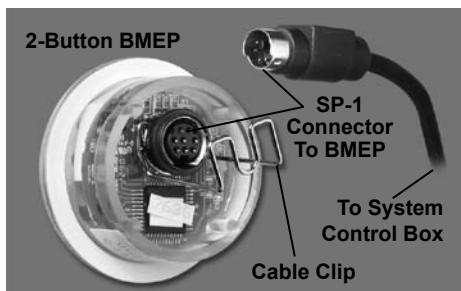
**WARNING!**  
**CONNECT ONLY TO A CIRCUIT PROTECTED BY A GROUND-FAULT CIRCUIT-INTERRUPTER!**

A single electrical supply cable with an attachment plug, extending from the wiring compartment on the pump/motor, fitted through a strain relief fitting, is also supplied. All internal pump/motor wiring connections have been completed by the pump/motor manufacturer.

#### Oasis System Controls

Various Oasis bathtub models are available with an electronic whirlpool controller. Carress models come standard with a single function electronic pad with a 2-button Basic Multi-Function Electronic Pad (BMEP) as an available option. European equipped models come standard with the BMEP, however, an Enhanced Multi-Function Electronic Pad (EMEP) is available as an option. (Button selection will depend on system and optional equipment ordered.)

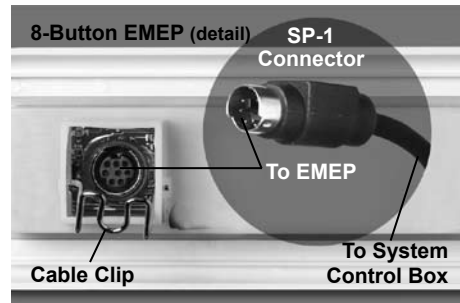
#### Basic Multi-Function Electronic Pad (BMEP)



Both the BMEP and EMEP are connected to a "Main (system) Controller" (MC) box

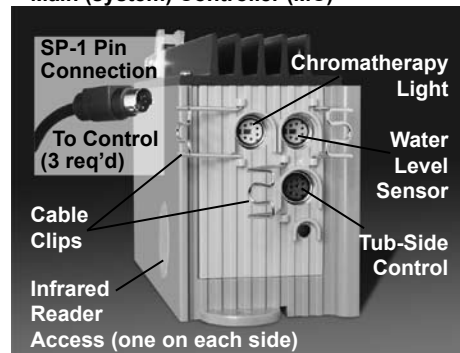
with an SP-1 connector, to control the various standard and optional accessories (e.g. whirlpool operation, timer settings, chromatherapy light). Attached cable clips keep all wires firmly in place.

#### Enhanced Multi-Function Electronic Pad (EMEP)



The image below shows the Oasis MC and the connection locations for several whirlpool components. The infrared reader access (image lower left) works in conjunction with the "Solenoid Driver" (SD) box to control the back jet functions (see *Pre-Programmed Back Jet Array*).

#### Main (system) Controller (MC)

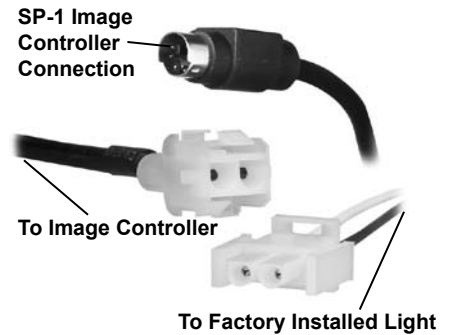


NOTE: The MC comes with a 3-prong, safety grounded plug that requires a dedi-

cated 20 amp circuit. (Schematics 1A, 1B, or 1C.)

#### Oasis Chromatherapy Light

The factory installed, chromatherapy light is a low-voltage light that receives its power through the MC (schematic 1B). The factory installed light housing and socket connection is attached to the MC using a 2-prong snap connector with a short lead to an SP-1 connector. (Reference Main Controller image under system controls.)

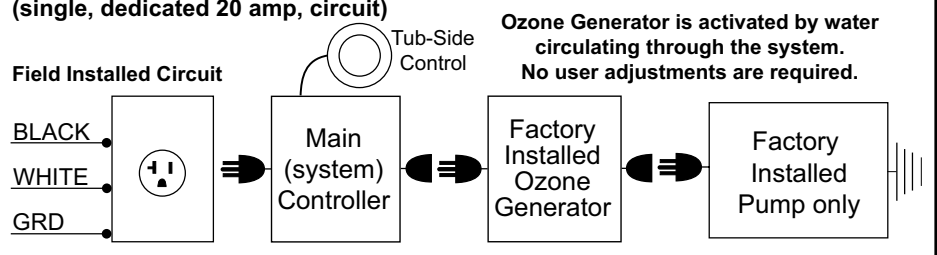


#### Oasis Ozone System



The Oasis ozone generator system is a self-contained, automatic system that provides a whirlpool system cleaning while operating your whirlpool. Operation will automatically begin when the whirlpool is running. No operator adjustments are required.

#### Schematic 1C - Alternate System Configuration Ozone Generator equipped system wiring diagram (single, dedicated 20 amp, circuit)



### Whirlpool Electrical Specifications

The ozone generator comes with an attached 3-prong grounded plug, which connects to the MC for power (schematic 1C). An AC plug (shown below) with male and female connections allows the system pump to plug into the back of the three-prong plug of the ozone generator.



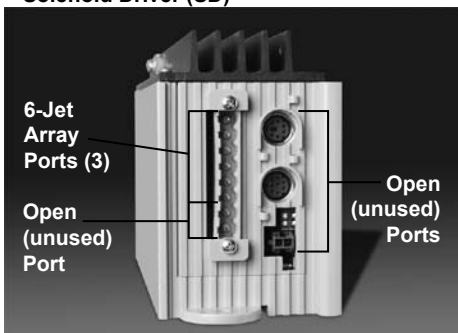
NOTE: Although the ozone generator system provides an automatic cleaning process, it should not be used as a substitute for periodic unit and system cleaning as outlined in the Whirlpool System Care and Cleaning guide included with your Oasis unit.

#### Oasis Pre-Programmed, Electronic Back Jet Array



Available only on models ordered with the European system and the EMEP, the electronic back jet array operates off of six, low-voltage, factory installed solenoids, connected to a "Solenoid Driver" (SD) box. The solenoids initiate the "Shiatsu" massage by opening and closing the back jets from top to bottom, in a precise sequence

#### Solenoid Driver (SD)



to create its massaging action. Adjustments can be made on the EMEP to select one of four (4) pre-programmed settings.

Connections at the six solenoids are done with spade connectors (image 1). Connections to the SD utilize a 2-prong plug-in pin connector as shown in image 2.

Image 1

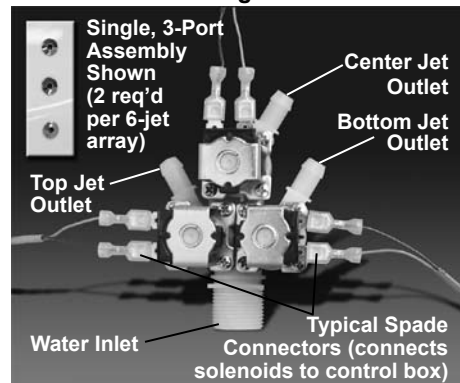
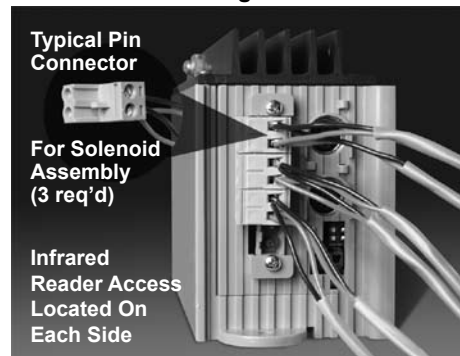


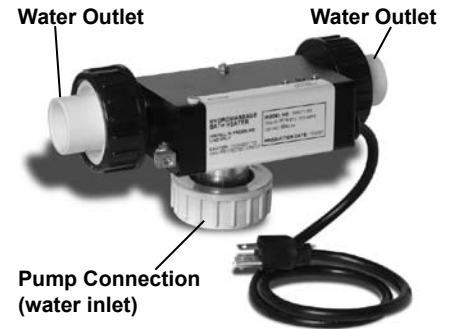
Image 2



Overall SD control is done by the main controller through infrared ports located on either side of the factory installed modules.

NOTE: The solenoid driver comes with a 3-prong, safety grounded plug that requires a dedicated 20 amp circuit (schematic 2).

#### Oasis In-Line Heater System



A factory installed module located on the pump exhaust port, the Oasis in-line heater is designed to help reduce lost water temperature. By constantly circulating water through a heated chamber, the in-line heater is activated by an internal water flow switch which eliminates user adjustments.

NOTE: The in-line heater system is NOT intended for use as an alternate source to "heat" cold bath water. It is only designed to assist in maintaining the initial water temperature.

#### In-Line Heater Wiring

A single electrical supply cable with an attached plug, extending from the in-line heater, is supplied as a standard component of the heater. All internal wiring connections have been made by the heater manufacturer. The field electrical connection is a single dedicated service line (independent of other required circuits) running from the main panel to an independently mounted junction box with an appropriate electrical receptacle for the in-line heater plug (schematic 3). Breaker size, junction box mounting, receptacle selection, and all field electrical connections must be made in compliance with applicable codes for the installation site. No control box is necessary for the in-line heater.

Check with your plumber/contractor to ensure that a properly sized water heating system is installed to match the necessary

#### Schematic 3 - Supplemental Circuit Configuration

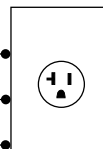
In-Line Heater wiring (single, dedicated 20 amp, GFCI circuit)

Field Installed Circuit

BLACK

WHITE

GRD



Factory Installed Heater