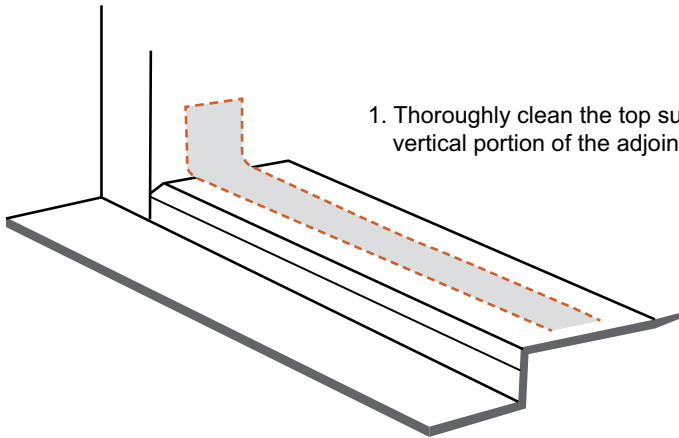


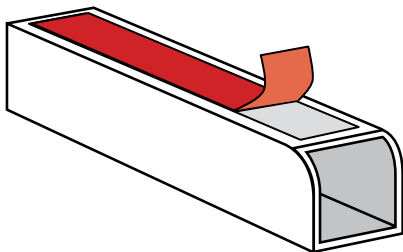
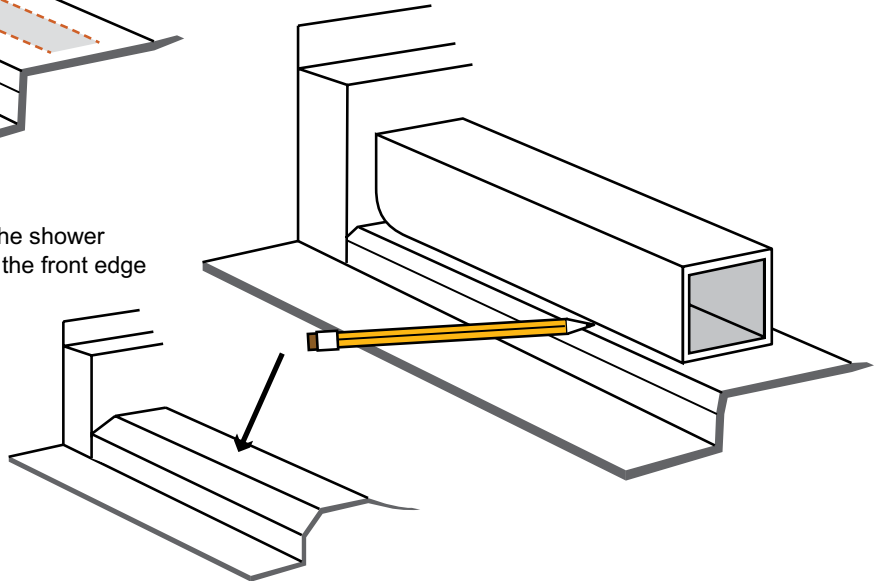
~ Provided ~  
\*Rubbing Alcohol Wipe \*Silicone Sealant



1. Thoroughly clean the top surface of the shower or shower base threshold and a vertical portion of the adjoining wall on each side with the provided alcohol wipe.

2. Place the threshold channel in position at the front of the shower threshold, approximately 1/2" from the front, and mark the front edge with a pencil in several spots along the length.

Position marking won't be necessary for the SHFW models as the channel will center on top of the curbed shower threshold (see right and bottom left).



3. Remove the backing from the adhesive strip and lightly place the threshold channel on the shower threshold along the previously marked positions or visibly center on the SHFW threshold. Once in proper position press it firmly into place.

**NOTE:** adhesive strip is ONLY designed to maintain position and assist in holding threshold, it is NOT intended as the only mounting material. Proper installation must incorporate silicone to water seal and supply additional securement.

4. Apply an even ribbon of caulk all the way around the entire perimeter of the threshold channel and allow to dry completely before using.

