

# BUILDER SERIES



## CORNER MODELS

## Tartane (Tile Flange)

Rough-In Dimensions	CTCSG-S-470 CTCSG-IF-470	61-1/4" wide x 61-1/4" deep x 23-3/4" high
---------------------	-----------------------------	--

Finished Dimensions	CTCSG-S-470 CTCSG-IF-470	60" deep x 60" deep x 22-1/2" high
---------------------	-----------------------------	------------------------------------

### Unit Features

- Gelcoat Surface
- 2" Dia. Front Center Drain (see reverse side for location)
- 2-1/2" Dia. Overflow (see reverse side for location)
- Contoured Corner Seat
- Twin, Contoured Armrests (on each side)
- "S" Model: Integral Tile Flange & Full Apron
- "IF" Model: Integral Tile Flange & Partial Apron
- Removable Apron Access Panel Included on "S" Model
- Pre-Levelled Block Base System
- Balsa Wood Core Floor Structure
- Textured Floor Pattern

### Special Notes

- Whirlpool System Available (see reverse side for details)
- UL Listed Whirlpool System
- Model Available In Self-Rimming Design

### Unit / System Order Number

Gelcoat: CTCSG-S-470 / 0ND (soaking tub)  
 CTCSG-S-470 / 6P (Builder System)  
 CTCSG-S-470 / CWS (Carress System)

### Unit / System Order Number

Gelcoat: CTCSG-IF-470 / 0ND (soaking tub)  
 CTCSG-IF-470 / 6P (Builder System)  
 CTCSG-IF-470 / CWS (Carress System)

### System Trim

Standard 6P & CWS Trim (order code): White trim on White unit (WHT) - Bone trim on Bone unit (BON) - Biscuit trim on Biscuit unit (BSC)

### Order Number / Description

CWS: *Carress System* includes: 4-Adjustable side jets, 2-rotating foot jets, 4-micro pulse back jets, variable flow control, twin air controls, electronic system control, 11.0 amp pump/motor, and a removable access panel (S model).

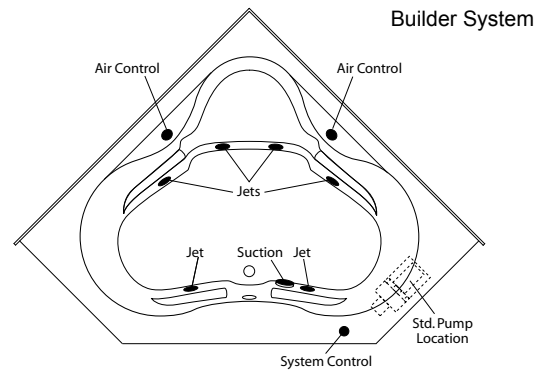
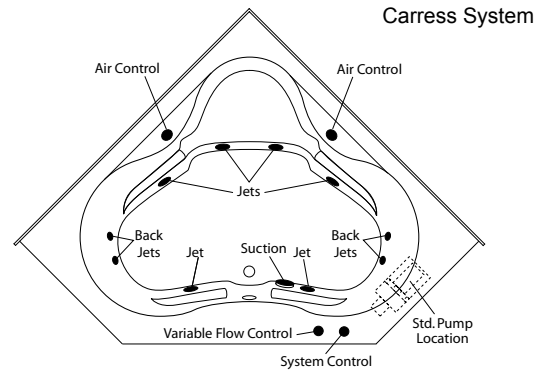
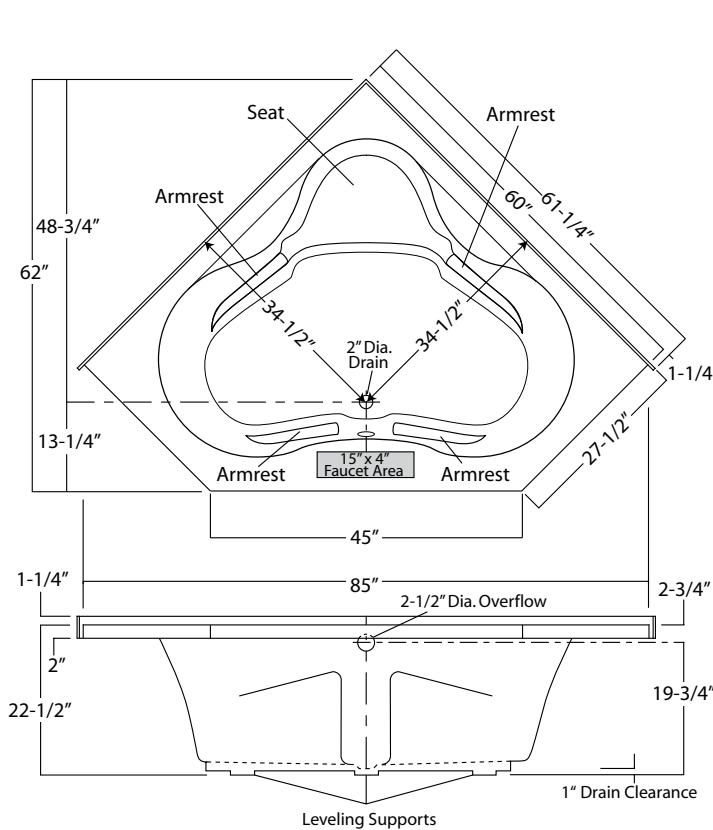
Options: In-Line Heater (1\*) (order: ILH)  
 Ozone Generator (1\*) (order: OZG)  
 Chromotherapy Pkg (1\*, 2\*) (order: CLT)  
 Water Level Sensor (1\*, 2\*) (order: LWV)  
 Trim Upgrade (1\*)  
     Chrome (order: CWS-CHR)  
     Brushed (Satin) Nickel (order: CWS-SNK)  
     Polished Brass (order: CWS-PBR)  
 Alternate Pump/Blower Location (1\*) (order: MP/B)

### Order Number / Description

6P: *Builder System* includes: 6-Adjustable jets, twin air controls, pneumatic system control, 5.80 amp pump/motor, and a removable access panel (S model).

Options: In-Line Heater (1\*) (order: ILH)  
 Ozone Generator (1\*) (order: OZG)

Notes: (1\*) Factory installed options  
 (2\*) Includes system control upgrade  
 (3\*) Available on acrylic models only



Tartane: CTCSG-IF-470 (illustrated)  
 (S model full apron extends down to room floor)  
 Sump Dimen: 48-1/2" long x 29" wide x 20-1/4" deep

Photographic images may include optional components and appear different than actual product.  
 Dimensions shown are maximum. Due to the nature of the materials involved, actual unit dimensions can vary (tolerances: +0 / -3/8 inch).  
 Oasis reserves the right to modify or discontinue product and/or associated equipment without prior written or verbal notification or obligation.