

# BUILDER SERIES



## 60-INCH WIDE MODELS

- BA-R-41** (Integral Apron)
- BA-R-41 ABF** (Integral Apron, Above Floor Rough)
- BA-R-51** (Integral Apron)
- BA-R-51 ABF** (Integral Apron, Above Floor Rough)

Rough-In Dimensions	BA-R-41	60" wide x 30-1/2" deep x 18-1/2" high
	BA-R-41 ABF	60" wide x 30-1/2" deep x 20-1/2" high
	BA-R-51	60" wide x 33-1/4" deep x 18-1/2" high
	BA-R-51 ABF	60" wide x 33-1/4" deep x 20-1/2" high
Finished Dimensions	BA-R-41	60" wide x 29-1/4" deep x 17-1/4" high
	BA-R-41 ABF	60" wide x 29-1/4" deep x 19-1/4" high
	BA-R-51	60" wide x 32" deep x 17-1/4" high
	BA-R-51 ABF	60" wide x 32" deep x 19-1/4" high

### Unit Features

- Gelcoat Surface
- 2" Dia. RH or LH Drain (see reverse side for location)
- 2-1/2" Dia. Overflow (see reverse side for location)
- Integral Unit Apron
- Balsa Wood Core Floor Structure
- Textured Floor Pattern

### Special Notes

- ABF Model Provides Additional Drain Clearance
- Whirlpool System Available (see reverse side for details)
- UL Listed Whirlpool System

### Unit / System Order Number

Gelcoat: BA-R-41R/L / 0ND (soaking tub)  
BA-R-41R/L ABF / 0ND (soaking tub)

### Unit / System Order Number

Gelcoat: BA-R-51R/L / 0ND (soaking tub)  
BA-R-51R/L ABF / 0ND (soaking tub)  
BA-R-51R/L / 6P (Builder System)  
BA-R-51R/L ABF / 6P (Builder System)

### System Trim

Standard 6P Trim (order code): White trim on White unit (WHT) - Bone trim on Bone unit (BON) - Biscuit trim on Biscuit unit (BSC)

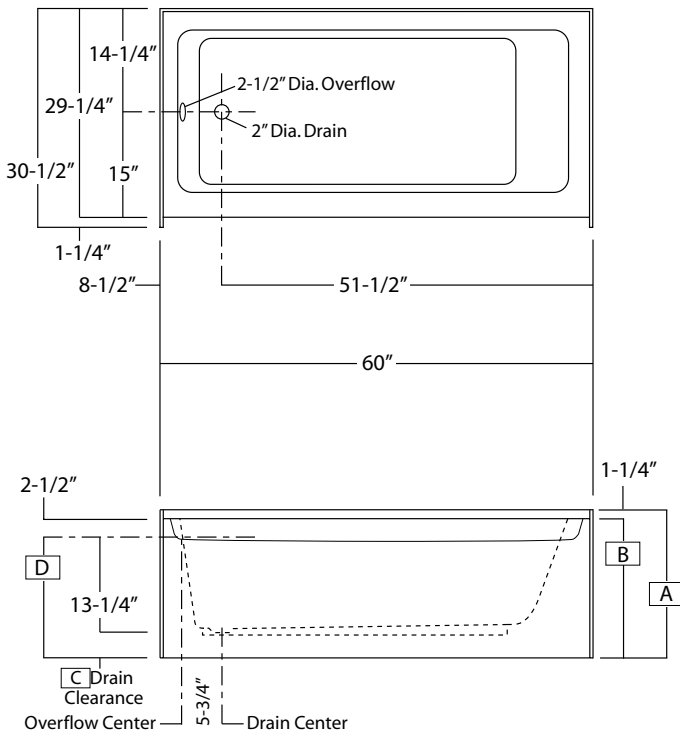
### Order Number / Description

6P: *Builder System* includes: 6-Adjustable jets, twin air controls, pneumatic system control, and 5.80 amp pump/motor.

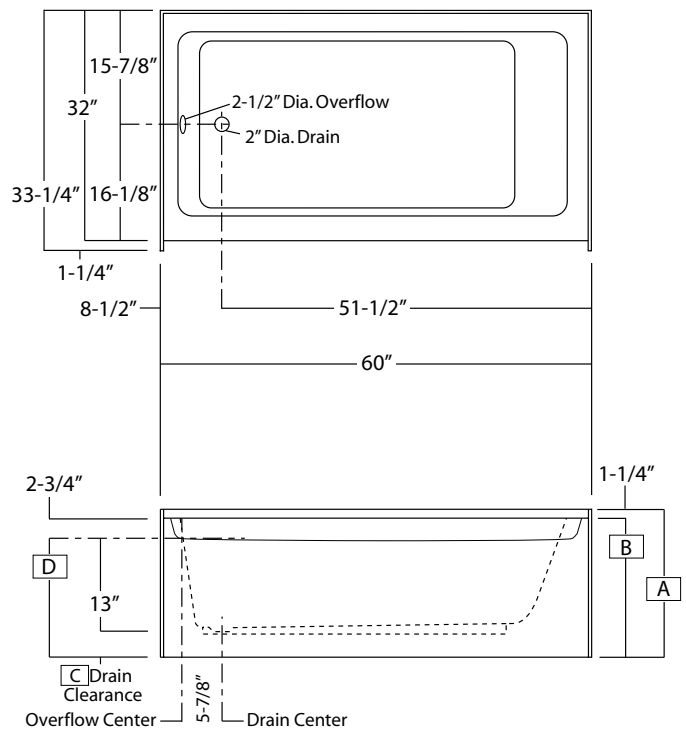
Options: In-Line Heater (1\*) (order: ILH)  
 Ozone Generator (1\*) (order: OZG)

Notes: (1\*) Factory installed  
 (2\*) Includes system control upgrade  
 (3\*) Available on acrylic models only

A removable access panel is not available for these models.



BA-R-41L (illustrated)  
 Sump Dimen: 48" long x 21" wide x 15" deep

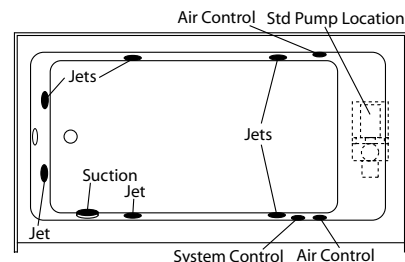


BA-R-51L (illustrated)  
 Sump Dimen: 48" long x 24" wide x 15" deep  
 (not available with removable apron access panel)

BA-R-41		
	Std Unit	ABF Unit
A	18-1/2"	20-1/2"
B	17-1/4"	19-1/4"
C	1-1/2"	3-1/2"
D	14-3/4"	16-3/4"

BA-R-51		
	Std Unit	ABF Unit
A	18-1/2"	20-1/2"
B	17-1/4"	19-1/4"
C	1-1/2"	3-1/2"
D	14-1/2"	16-1/2"

BA-R-51L/6P System



Photographic images may include optional components and appear different than actual product.  
 Dimensions shown are maximum. Due to the nature of the materials involved, actual unit dimensions can vary (tolerances: +0 / -3/8 inch).  
 Oasis reserves the right to modify or discontinue product and/or associated equipment without prior written or verbal notification or obligation.