

## BUILDER SERIES



71-1/2-INCH WIDE MODEL

## Andros Isle (Self-Rimming)

Unit Dimensions

71-1/2" wide x 41-3/4" deep x 21" high

### Unit Features

- Vacuum Formed Acrylic
- 2" Dia. Front Center Drain (see reverse side for location)
- 2-1/2" Dia. Overflow (see reverse side for location)
- Pre-Leveled Block Base System
- Balsa Wood Core Floor Structure
- Textured Floor Pattern

### Special Notes

- Whirlpool System Available (see reverse side for details)
- UL Listed Whirlpool System

### Unit / System Order Number

Acrylic: TR-B-400 / 0ND (soaking tub)  
TR-B-400 / 6P (Builder System)  
TR-B-400 / CWS (Carress System)

### System Trim

Standard 6P & CWS Trim (order code): White trim on White unit (WHT) - Bone trim on Bone unit (BON) - Biscuit trim on Biscuit unit (BSC)

### Order Number / Description

CWS: *Carress System* includes: 4-Adjustable side jets, 2-rotating foot jets, 2-micro pulse back jets, variable flow control, twin air controls, electronic system control, and 11.0 amp pump/motor.

Options: In-Line Heater (1\*) (order: ILH)  
 Ozone Generator (1\*) (order: OZG)  
 Chromatherapy Pkg (1\*, 2\*) (order: CLT)  
 Water Level Sensor (1\*, 2\*) (order: LWV)  
 Trim Upgrade (1\*)  
 Chrome (order: CWS-CHR)  
 Brushed (Satin) Nickel (order: CWS-SNK)  
 Polished Brass (order: CWS-PBR)

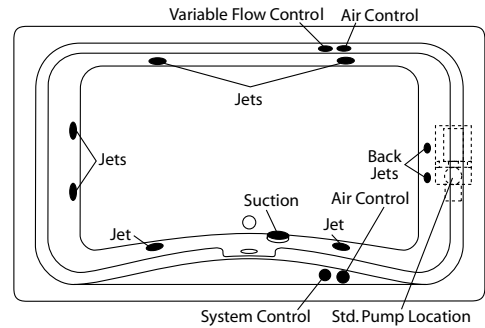
### Order Number / Description

6P: *Builder System* includes: 6-Adjustable jets, twin air controls, pneumatic system control, and 5.80 amp pump/motor.

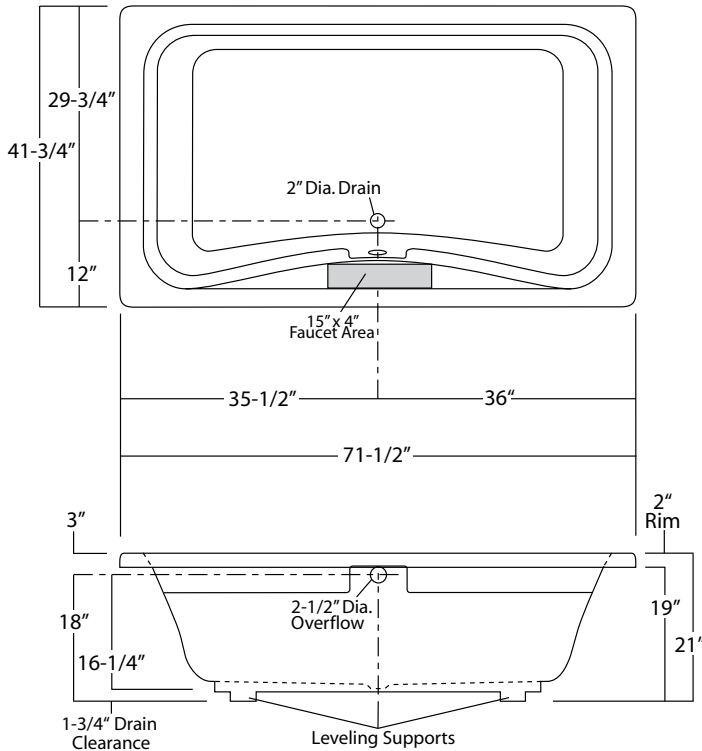
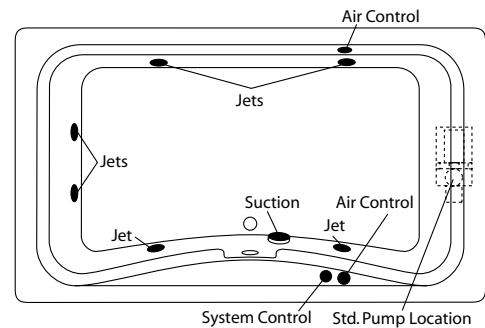
Options: In-Line Heater (1\*) (order: ILH)  
 Ozone Generator (1\*) (order: OZG)

Notes: (1\*) Factory installed options  
 (2\*) Includes system control upgrade  
 (3\*) Available on acrylic models only

Carress System



Builder System



Andros Isle: TR-B-400  
 Sump Dimen: 55" long x 29-3/4" wide x 18" deep

Photographic images may include optional components and appear different than actual product. Dimensions shown are maximum. Due to the nature of the materials involved, actual unit dimensions can vary (tolerances: +0 / -3/8 inch). Oasis reserves the right to modify or discontinue product and/or associated equipment without prior written or verbal notification or obligation.