

ACRYLLUS SERIES
'INTEGRAL DOME'
SHOWER STALL

Oasis®



48-INCH MODEL

SHA-DM-4833

Rough-In Dimen.

48" wide x 34" deep x 89-3/8" high (w/ 4-1/2" dam)

Finished Dimen.

48" wide x 32-3/4" deep x 89-3/8" high (w/ 4-1/2" dam)

Unit Features



- One - Piece Fiberglass Composite Construction
- Vacuum Formed Acrylic Surface
- 3-3/8" Dia. Center Drain (see reverse side for location)
- Integral Unit Dome (cap)
- Gelcoat Style Mounting Flanges
- Low Profile Dam (standard)
- Generous, Multi-Level Back Wall Shelving
- Balsa Wood Core Floor Structure

Special Notes

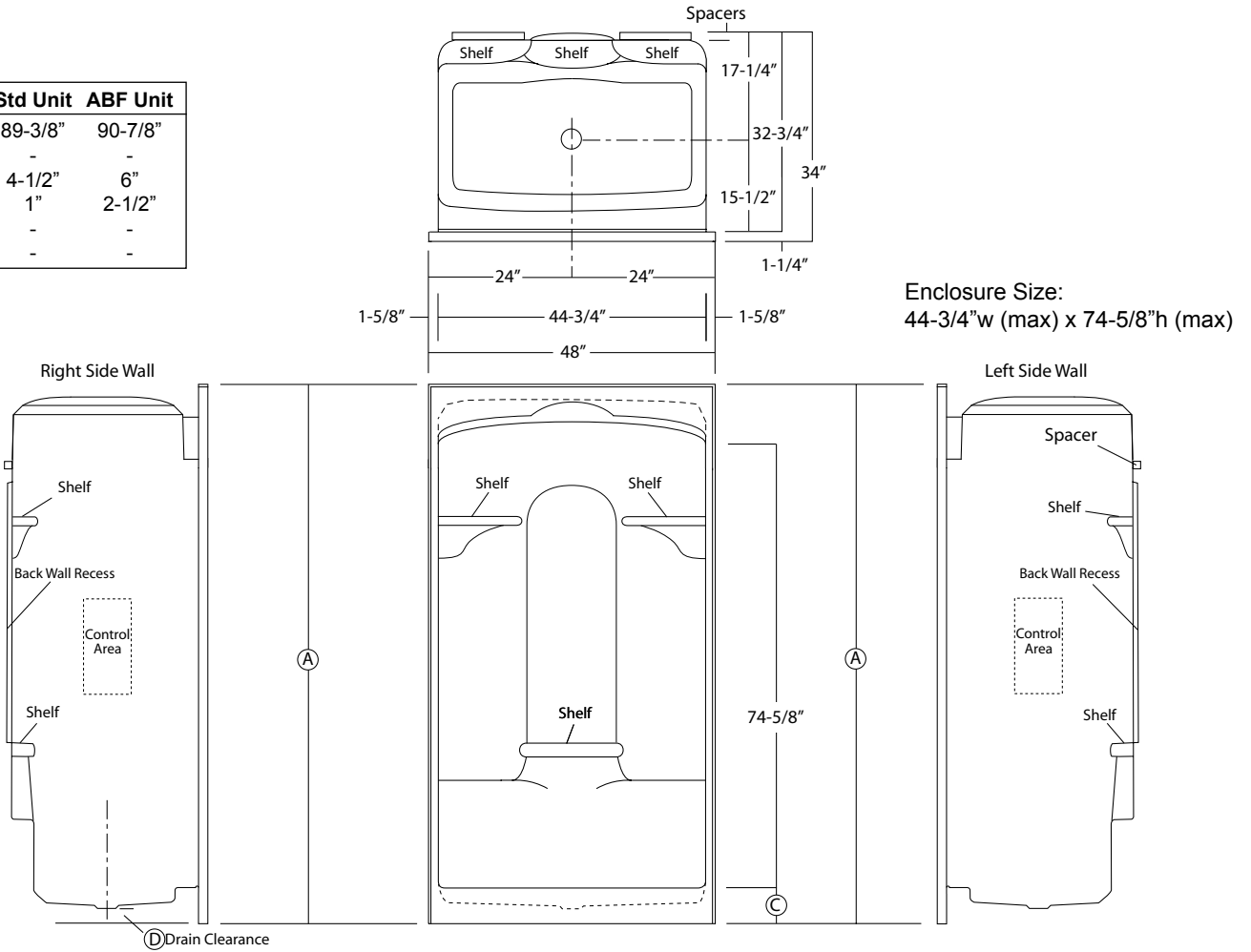
- Optional ABF Model (provides 2-1/2-inches of drain clearance)
- Factory Applied Bar Packages Available
- Single-Seat Version Available
- Open Top Versions Available

Order No.: SHA-DM-4833 (no seat / 4-1/2" dam)

SHA-DM-4833 ABF (no seat / 6" dam)

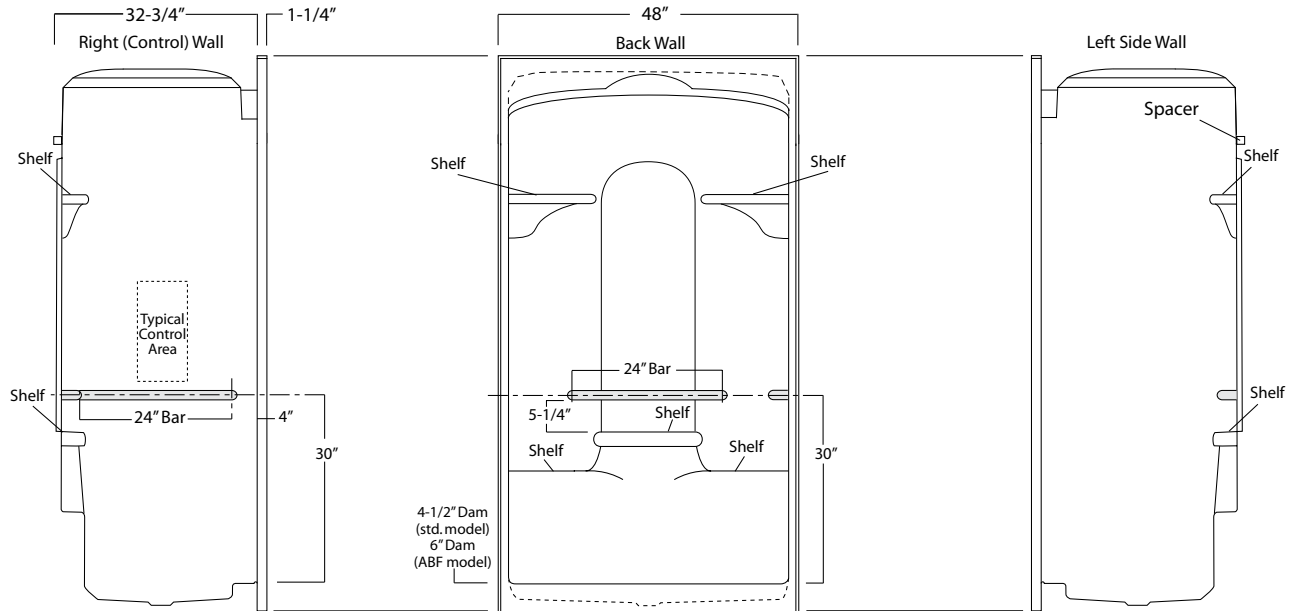
48" x 32-3/4", one-piece vacuum formed acrylic shower stall with integral unit cap, multi-level back wall shelving, gelcoat style mounting flanges, 4-1/2" low profile dam (1" drain clearance), wall surround, and center drain.

	Std Unit	ABF Unit
A	89-3/8"	90-7/8"
B	-	-
C	4-1/2"	6"
D	1"	2-1/2"
E	-	-
F	-	-



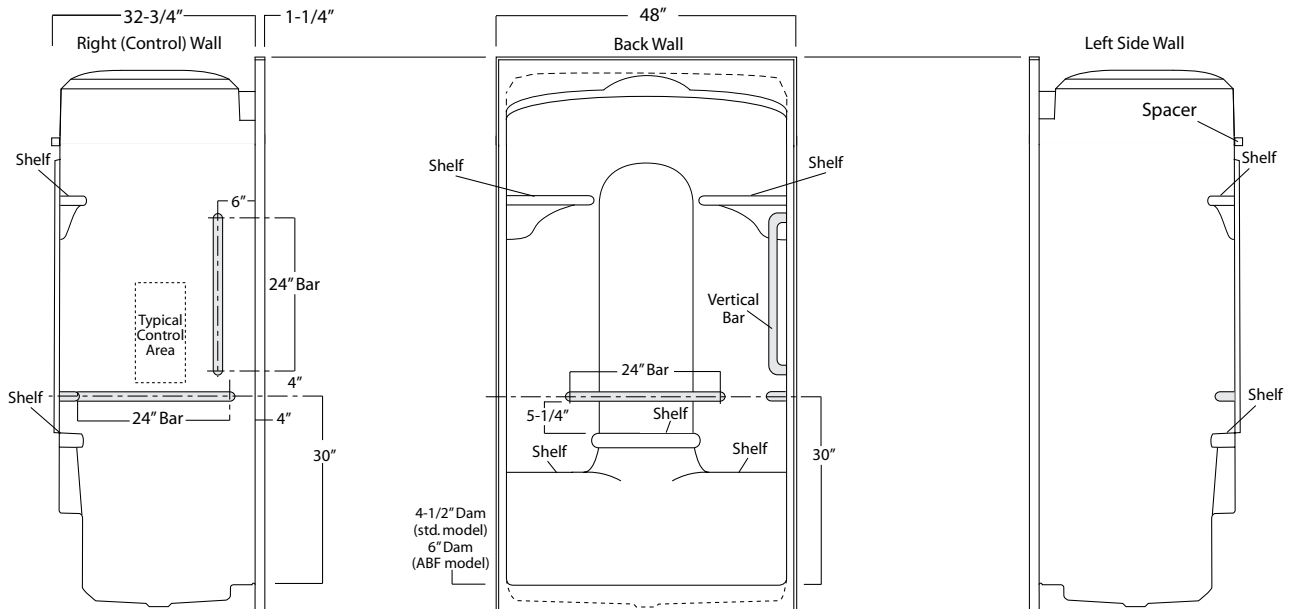
Package Order No.: BP1 (R or L)(2-bar only package)
Upgrade Package No.: BP1 WHT (R or L)(1-1/4" dia., white powder coat, 2-bar only package)
 BP1 OFW (R or L)(1-1/4" dia., off-white powder coat, 2-bar only package)
 BP1 SNK (R or L)(1-1/4" dia., satin nickel, 2-bar only package)

Package Includes: Factory installed, 1-1/2" dia. stainless steel, 2-bar package with basic reinforcement for components (R shown).
 NOTES: Positioning of factory installed components allow for the installation of a shower enclosure.
 "R or L" designates RH or LH control wall.



Package Order No.: BP2 (R or L)(3-bar only package)
Upgrade Package No.: BP2 WHT (R or L)(1-1/4" dia., white powder coat, 3-bar only package)
 BP2 OFW (R or L)(1-1/4" dia., off-white powder coat, 3-bar only package)
 BP2 SNK (R or L)(1-1/4" dia., satin nickel, 3-bar only package)

Package Includes: Factory installed, 1-1/2" dia. stainless steel, 3-bar package with basic reinforcement for components (R shown).
 NOTES: Positioning of factory installed components allow for the installation of a shower enclosure.
 "R or L" designates RH or LH control wall.



Photographic images may include optional components and appear different than actual product.
 Dimensions shown are maximum. Due to the nature of the materials involved, actual unit dimensions can vary (tolerances: +/-1/8 inch)
 Oasis reserves the right to modify or discontinue product and/or associated equipment without prior written or verbal notification or obligation.