

**ACRYLLUS SERIES
'OPEN TOP'
SHOWER STALL**

Oasis



48-INCH MODEL

SHA-4833RS (right seat)

SHA-4833LS (left seat)

Rough-In Dimen.

48" wide x 34" deep x 76-1/2" high (w/ 4-1/2" dam)

Finished Dimen.

48" wide x 32-3/4" deep x 75-1/4" high (w/ 4-1/2" dam)

Unit Features



- One - Piece Fiberglass Composite Construction
- Vacuum Formed Acrylic Surface
- 3-3/8" Dia. Center Drain (see reverse side for location)
- Gelcoat Style Mounting Flanges
- Single, Ergonomic Right or Left Hand Seat
- Low Profile Dam (standard)
- Generous, Multi-Level Back Wall Shelving
- Balsa Wood Core Floor Structure

Special Notes

- Optional ABF Model (provides 2-1/2-inches of drain clearance)
- Factory Applied Bar Packages Available (see following pages)
- No-Seat Version Available
- Domed Versions Available

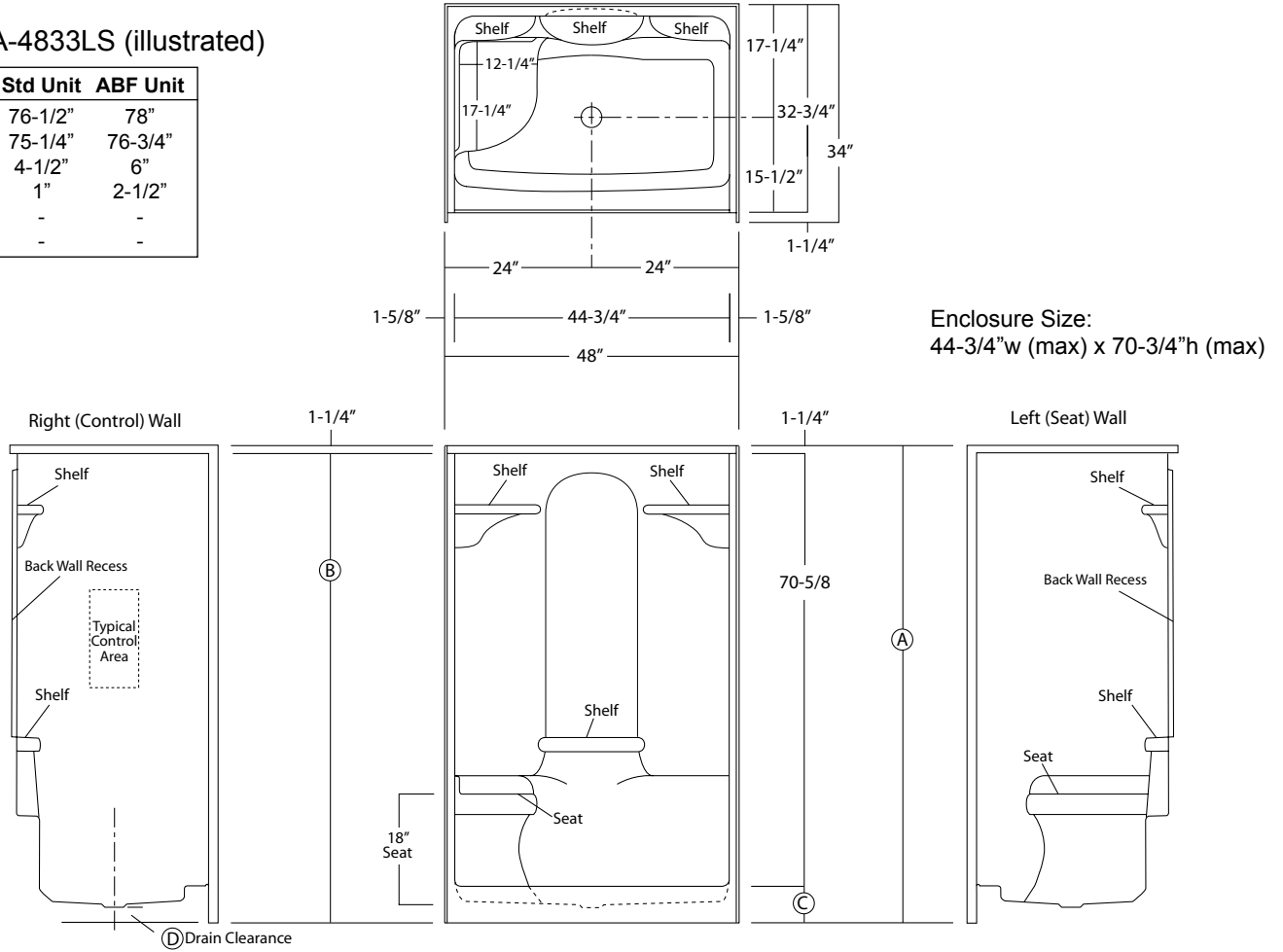
Order No.: SHA-4833RS (RH seat / 4-1/2" dam)
 SHA-4833LS (LH seat / 4-1/2" dam)

SHA-4833RS ABF (RH seat / 6" dam)
 SHA-4833LS ABF (LH seat / 6" dam)

48" x 32-3/4", one-piece vacuum formed open top acrylic shower stall with right or left hand countoured seat, multi-level back wall shelving, gelcoat style mounting flanges, 4-1/2" low profile dam (1" drain clearance), wall surround, and center drain.

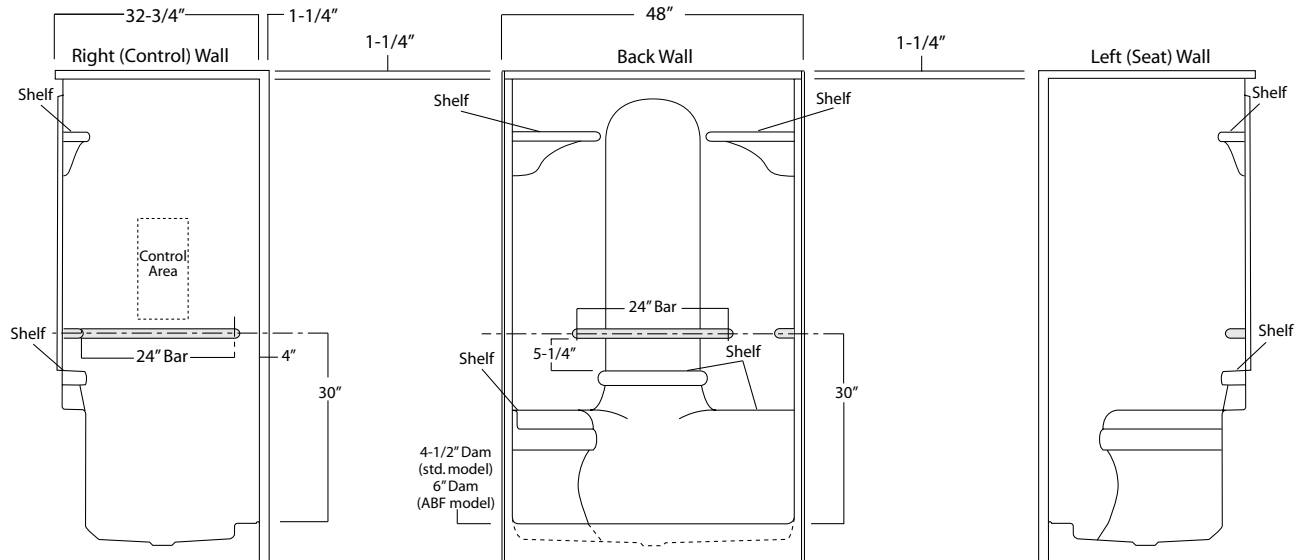
SHA-4833LS (illustrated)

	Std Unit	ABF Unit
A	76-1/2"	78"
B	75-1/4"	76-3/4"
C	4-1/2"	6"
D	1"	2-1/2"
E	-	-
F	-	-



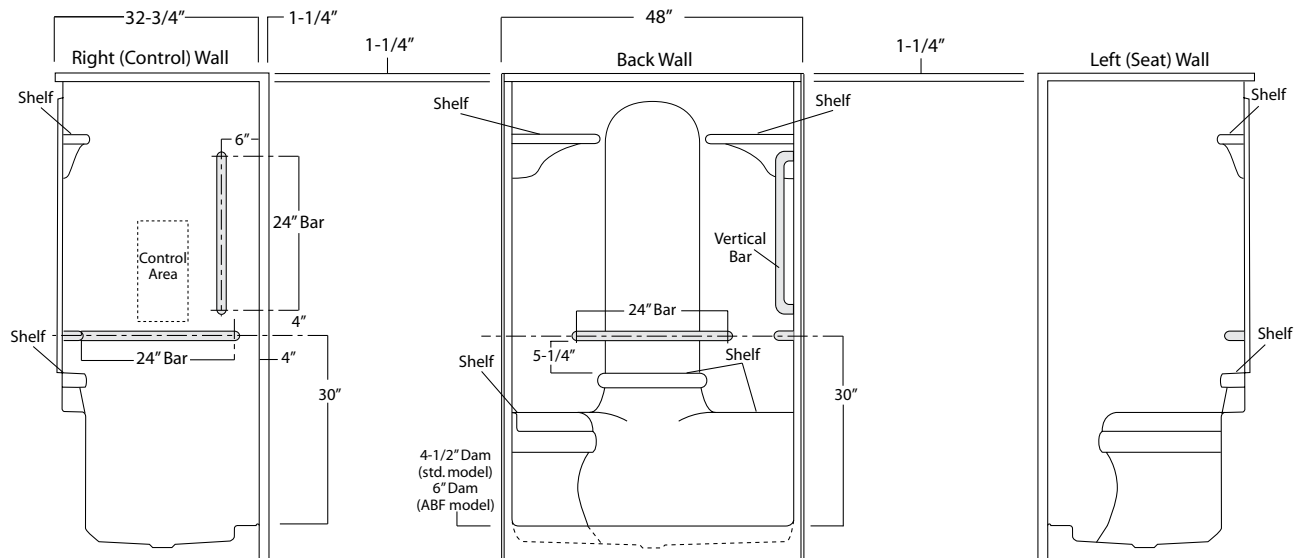
Package Order No.: BP1 (2-bar only package)
Upgrade Package No.: BP1 WHT (1-1/4" dia., white powder coat, 2-bar only package)
 BP1 OFW (1-1/4" dia., off-white powder coat, 2-bar only package)
 BP1 SNK (1-1/4" dia., satin nickel, 2-bar only package)

Package Includes: Factory installed, 1-1/2" dia. stainless steel, 2-bar package with basic reinforcement for components (LS shown).



Package Order No.: BP2 (3-bar only package)
Upgrade Package No.: BP2 WHT (1-1/4" dia., white powder coat, 3-bar only package)
 BP2 OFW (1-1/4" dia., off-white powder coat, 3-bar only package)
 BP2 SNK (1-1/4" dia., satin nickel, 3-bar only package)

Package Includes: Factory installed, 1-1/2" dia. stainless steel, 3-bar package with basic reinforcement for components (LS shown).



Photographic images may include optional components and appear different than actual product.
 Dimensions shown are maximum. Due to the nature of the materials involved, actual unit dimensions can vary (tolerances: +0 / -3/8 inch).
 Oasis reserves the right to modify or discontinue product and/or associated equipment without prior written or verbal notification or obligation.