

# Oasis 48-inch Shower Compartment With ActivLife 3-Wall Mid-Level Reinforcement Wrap Package



**Specification** – Oasis one-piece FRP gelcoat shower compartment SH-4840, offered in a standard 3-inch or 5-inch (ABF) dam configuration. ActivLife package includes factory applied, 3-wall, mid-level wrap reinforcement, exceeding (HUD/FHA) 'Fair Housing' requirements.

**Standards Certification:**

The shower compartment listed is manufactured in compliance with ANSI Z124 Standards, and certified through an ongoing, independent quality assurance and testing program.

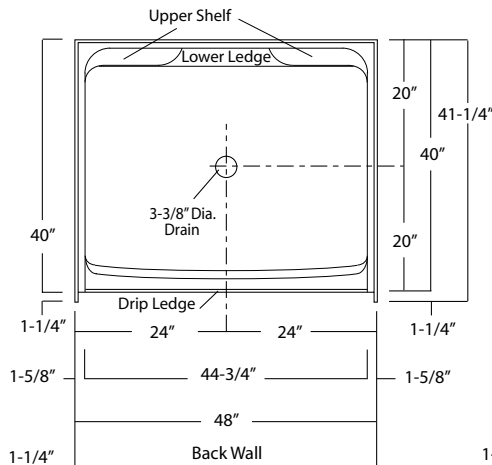
48-inch / Private Access / Reinforced Only



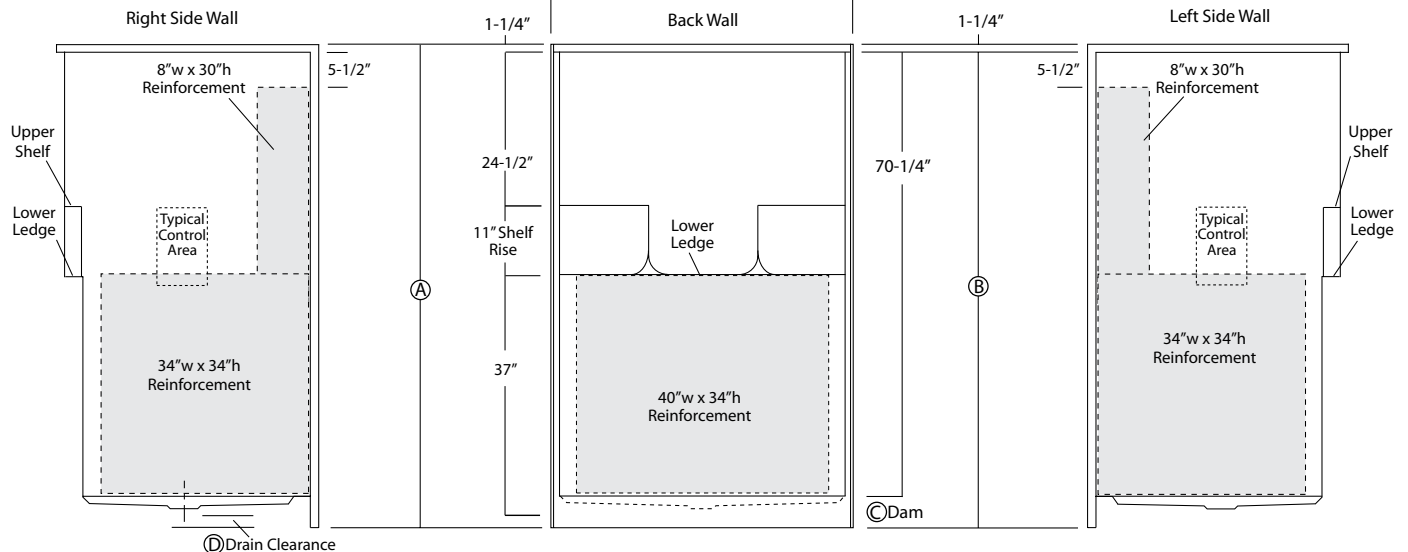
**SH-4840 / 3SM**  
(mid-level reinforcement wrap)  
Model & Package Illustrated



	Std Unit	ABF Unit
A	74-1/2"	76-1/2"
B	73-1/4"	75-1/4"
C	3"	5"
D	1"	3"
E	-	-
F	-	-



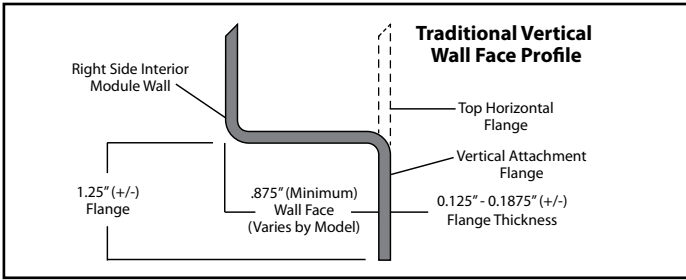
Enclosure Size:  
44-3/4" w (max) x 70-1/4" h (max)



Dimensions shown are maximum. Due to the nature of the materials involved, actual unit dimensions can vary (tolerances: + / - 1/8 inch). Oasis reserves the right to modify or discontinue product and/or associated equipment without prior written or verbal notification or obligation.

Model ID	Package Code	Description
----------	--------------	-------------

SH-4840 (Std or ABF)	/ 3SM	48" x 40", center drain shower with 3" (std) or 5" (ABF) dam, and ActivLife 3-wall mid-level reinforcement wrap package.
----------------------	-------	--



**Available Factory Installed Packages** (model available without any component or reinforcement packages)

**Component Packages:**

- 1. TLV package code: 2-wall, 3-bar package with phenolic folding RH or LH seat
- 2. TL package code: 2-wall, 2-bar package with phenolic folding RH or LH seat
- 3. BP2 package code: 2-wall, 3-bar package
- 4. BP1 package code: 2-wall, 2-bar package
- 5. BP3 package code: 3-wall, 3-bar package
- 6. BP5 package code: 1-wall, 1-bar package

**Reinforced ONLY Packages:**

- 7. FH package code: reinforcement for horizontal bars, based on HUD/FHA-Fair Housing
- 8. 3SM & 3SF package codes: expanded reinforcement packages, (with or without package components)