

Oasis 48-inch Shower Compartment With Integral Molded Seat and ActivLife 3-Wall Mid-Level Reinforcement Wrap Package

48-inch / Private Access / Reinforced Only



Specification – Oasis one-piece FRP gelcoat shower compartment SH-4834 RS or LS, having a single contoured seat and offered in a standard 4-inch or 6-inch (ABF) dam configuration. ActivLife package includes factory applied, 3-wall, mid-level wrap reinforcement, exceeding (HUD/FHA) 'Fair Housing' requirements.

Standards Certification:

The shower compartment listed is manufactured in compliance with ANSI Z124 Standards, and certified through an ongoing, independent quality assurance and testing program.

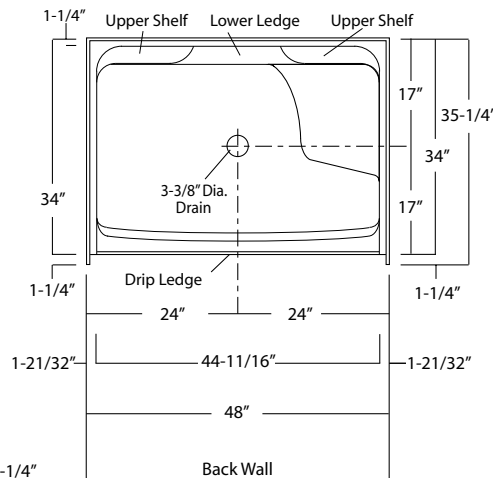


SH-4834 RS / 3SM
(RH seat / mid-level reinforcement wrap)
Model & Package Illustrated

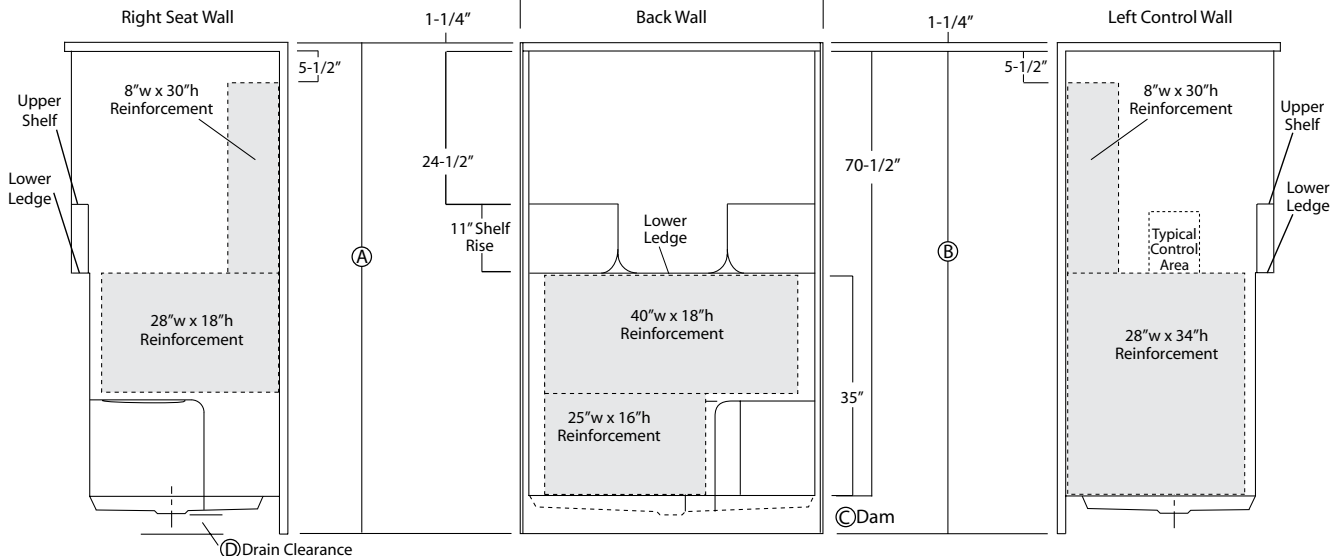
	Std Unit	ABF Unit
A	75-3/4"	77-3/4"
B	74-1/2"	76-1/2"
C	4"	6"
D	1"	3"
E	-	-
F	-	-



Home Innovation
LAB CERTIFIED™



Enclosure Size:
44-11/16"w (max) x 70-1/2"h (max)



Dimensions shown are maximum. Due to the nature of the materials involved, actual unit dimensions can vary (tolerances: + / - 1/8 inch). Oasis reserves the right to modify or discontinue product and/or associated equipment without prior written or verbal notification or obligation.

Model ID	Package Code	Description (define configuration referencing seat side)
SH-4834 RS (right seat)(Std or ABF) / 3SM		48" x 34", center drain shower with single contoured seat, 4" (std) or 6" (ABF) dam, and ActivLife 3-wall mid-level reinforcement wrap package.
SH-4834 LS (left seat)(Std or ABF) / 3SM		

Package Notes:

1. Model available without listed package.
2. For REINFORCEMENT ONLY for horizontal bars (HUD/FHA-Fair Housing), see ActivLife "FH" package code.
3. Model available with a full reinforcement wrap (with or without package components), see ActivLife "3SF" package code.
4. Model available with 2-bar or 3-bar packages, see ActivLife "BP1" and "BP2" package codes.

