

# Oasis 48-inch Shower Compartment With Dual Integral Molded Seats and ActivLife Single-Bar (1-horizontal) Package

48-inch / Private Access / Bars Only



**Specification** – Oasis one-piece FRP gelcoat shower compartment SH-4834 DS, with dual contoured seats, offered in a standard 4-inch or 6-inch (ABF) dam configuration. ActivLife package includes a single horizontal bar on the back wall.

**Standards Certification:**

The shower compartment listed is manufactured in compliance with ANSI Z124 Standards, and certified through an ongoing, independent quality assurance and testing program.

The factory-applied grab bar package is certified through an independent review program.

## Oasis

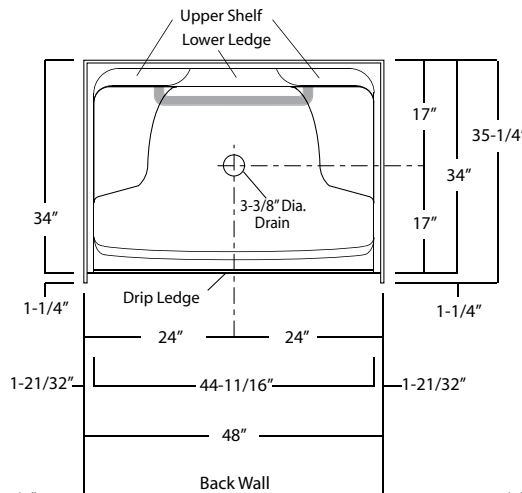
**SH-4834 DS / BP5**  
(dual seats / single-bar package)  
Model & Package Illustrated



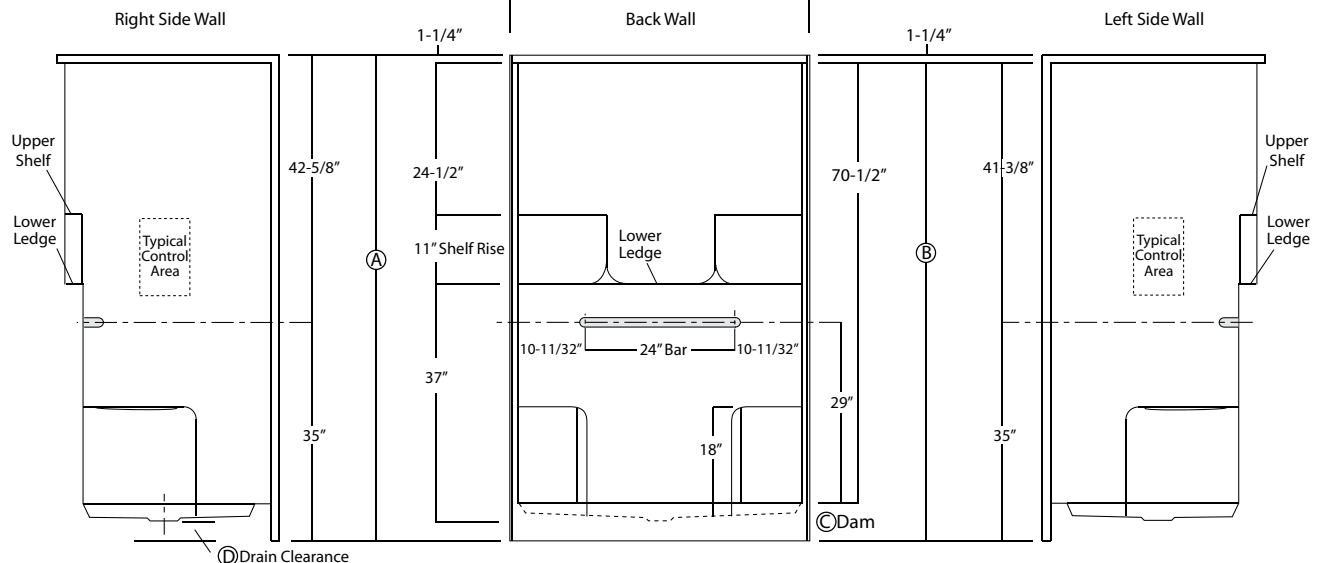
**Home Innovation**  
LAB CERTIFIED™

**ActivLife**  
solutions

	Std Unit	ABF Unit
A	75-3/4"	77-3/4"
B	74-1/2"	76-1/2"
C	4"	6"
D	1"	3"
E	-	-
F	-	-



Enclosure Size:  
44-11/16"w (max) x 70-1/2"h (max)



Dimensions shown are maximum. Due to the nature of the materials involved, actual unit dimensions can vary (tolerances: + / -1/8 inch). Oasis reserves the right to modify or discontinue product and/or associated equipment without prior written or verbal notification or obligation.

Model ID	Package Code	Description
SH-4834 DS (Std or ABF)	/ BP5	48" x 34", center drain shower with dual contoured seats, 4" (std) or 6" (ABF) dam, and ActivLife 1.50" dia. stainless steel single bar package (single horizontal back wall bar).

**Powder Coated Bar Packages (1.25-inch dia.)**

SH-4834 DS (Std or ABF)	/ BP5 WHT	48" x 34", center drain shower with dual contoured seats, 4" (std) or 6" (ABF) dam, and ActivLife 1.25" dia. white powder coated single bar package (single horizontal back wall bar).
-------------------------	-----------	----------------------------------------------------------------------------------------------------------------------------------------------------------------------------------------

**Package Notes:**

1. Model available without listed package.
6. For REINFORCEMENT ONLY for horizontal bars (HUD/FHA-Fair Housing), see ActivLife "FH" package code.
7. For expanded reinforcement package options, (with or without listed package components), see ActivLife "3SM" and "3SF" package codes.

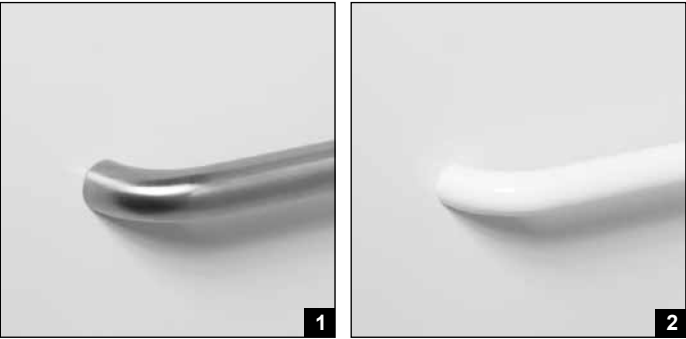
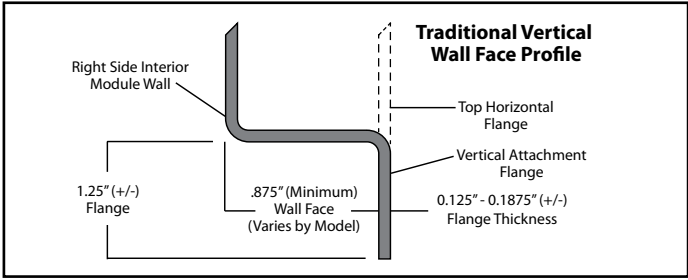


Photo 1: Grab Bars: Factory-installed 1.50-inch diameter, concealed attachment, 18 gauge, #304 brushed stainless steel grab bars. Concealed attachment design provides tamper-resistance and minimizes debris collection areas at contact points, compared to common exposed flange bar designs, without compromising bar attachment integrity. (Reinforced areas include a structural core material encapsulated in FRP composite.)

Photo 2: Grab Bars: Factory-installed 1.25-inch dia. powder coated (in finishes listed above), concealed attachment, 18 gauge, #304 stainless steel grab bars. Concealed attachment design provides tamper-resistance and minimizes debris collection areas at contact points, compared to common exposed flange bar designs, without compromising bar attachment integrity. (Reinforced areas include a structural core material encapsulated in FRP composite.)