

# Oasis 3-Piece, 60-inch Shower Compartment With Integral Molded Seat and ActivLife (HUD/FHA Fair Housing Act Design Manual) Reinforcement Package

60-inch / Private Access / Reinforced Only



**Specification** – Oasis 3-piece FRP gelcoat shower compartment, SH3P-6032 RS or LS, having a single contoured seat and offered in a standard 4-inch or 6-inch (ABF) dam configuration. ActivLife package includes factory-applied reinforcement, in compliance with HUD/FHA Fair Housing Act Design Manual, on back wall and control wall opposite seat for horizontal bar application.

**Standards Certification:**

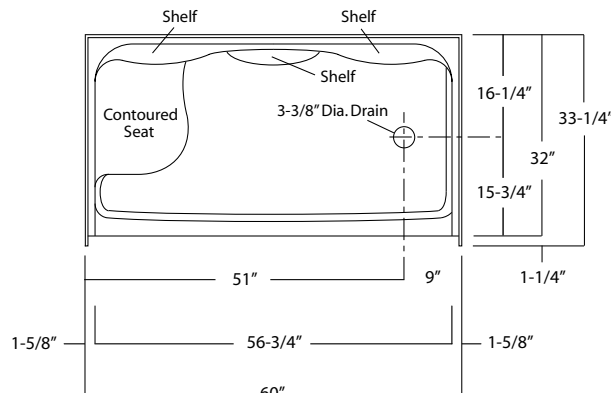
The shower compartment listed is manufactured in compliance with ANSI Z124 Standards, and certified through an ongoing, independent quality assurance and testing program.



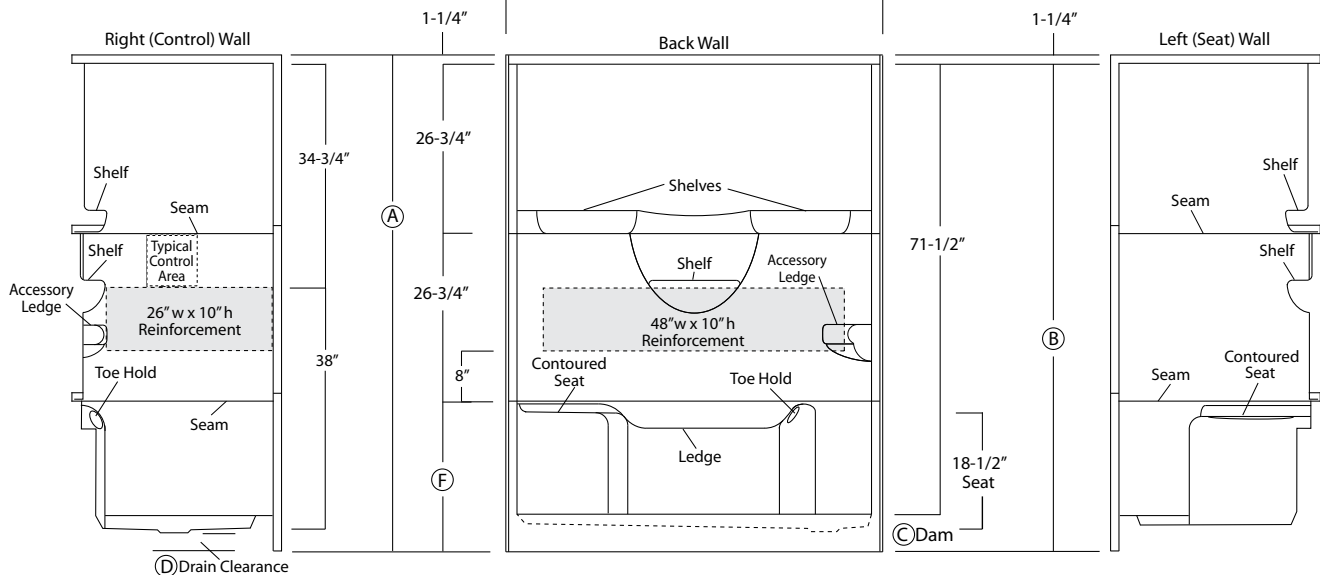
**SH3P-6032 LS / FH**  
(LH seat / Fair Housing reinforced)  
Model & Package Illustrated



	Std Unit	ABF Unit
A	76-3/4"	78-3/4"
B	75-1/2"	77-1/2"
C	4"	6"
D	1"	3"
E	-	-
F	22"	24"



Enclosure Size:  
56-3/4" w (max) x 71-1/2" h (max)



Dimensions shown are maximum. Due to the nature of the materials involved, actual unit dimensions can vary (tolerances: +0 / -3/8 inch). Oasis reserves the right to modify or discontinue product and/or associated equipment without prior written or verbal notification or obligation.

Model ID	Package Code	Description (define configuration referencing seat side)
----------	--------------	--

SH3P-6032 RS (right seat)(Std or ABF) / FH		60" x 32", 3-piece, end drain shower with contoured right or left hand seat, 4" (std) or 6" (ABF) dam, and ActivLife control and back wall reinforcement for horizontal bar application.
SH3P-6032 LS (left seat)(Std or ABF) / FH		

**Package Notes:**

1. Model available without listed package.
2. For expanded reinforcement package options (with or without package components), see ActivLife "3SM" and "3SF" package codes.
3. Model available with 2-bar or 3-bar packages, see ActivLife "BP1-60" and "BP2-60" package codes.

