

One-Piece & Multi-Piece Corner Showers & Base Installations



One Piece Showers

SH-NA-3838
SH-C-36

Shower Bases

SBNA-3838
SBNA-4848
SP-CB-3
SP-DT-3
SP-DT-4R/L



SH-NA-3838



SH-C-36



SBNA-3838
SBNA-4848 (shown)



SP-DT4R (shown)
SP-DT-4L



SP-CB-3
SP-DT-3

These guidelines are recommended for the proper installation of Oasis products. A careful review of these procedures (and any referenced publications) before starting is important in avoiding an improper assembly and/or installation.

NOTE: All illustrations in this publication are typical, and may appear different than the actual product. Optional items may also be shown that were not ordered on the product being installed.

Special Notes to Installer

◆ It is the sole responsibility of the installer to determine the requirements necessary for compliance with all installation code requirements!

◆ All paperwork packaged with the product should be saved and presented to the home owner upon completion of the installation!

◆ All published product dimensions are for reference only. Any critical dimensions required for installation should be taken directly from the product being installed!

◆ Any independent modifications made to the product (or any options / accessories supplied) beyond those required for normal installation can void all warranties! (Refer to warranties for further information)

INSPECTION GUIDELINES

Carefully check the unit upon receipt. Notify your supplier immediately if any questions or problems are encountered during this process.

DO NOT INSTALL PRODUCT WITHOUT FIRST ADDRESSING QUESTIONS WHICH ARISE DURING THE INSPECTION!

Basic Module Check

- Check unit drain position for match to bathroom drain location.
- Check unit for surface damage.
- Check unit color for coordination to other bathroom fixtures.

INSTALLATION SITE FRAMING

Due to individual site variations, exact guidelines for every situation cannot be supplied. The recommended framing and dimensional requirements shown are for a typical application and may vary depending on site requirements.

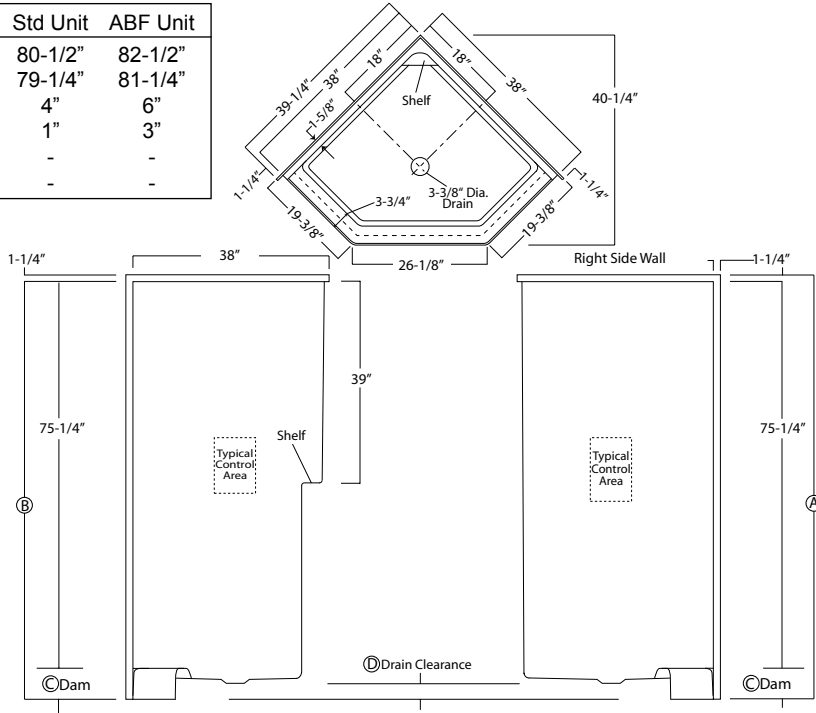
The dimensions shown are from the surfaces where the unit will be attached (illust. 1a, 1b, 1c). This surface can be bare studing, drywall, or other suitable underlayment material. It is important that the floor and all framing be square and level. Framing should be done using accepted materials and construction techniques in accordance with all applicable codes.

NOTE: Preconstructed walls may require modifications or additional framing members to allow for pipes or fittings which protrude from the unit on whirlpool equipped models.

Illustration 1a - Unit Dimension & Alcove Framing Guidelines (dimensional tolerance +0 / -3/8")

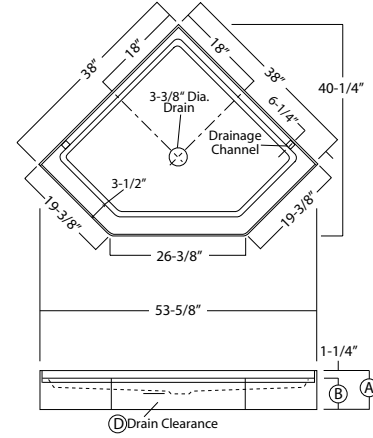
SH-NA-3838 ABF (illustr.)

	Std Unit	ABF Unit
A	80-1/2"	82-1/2"
B	79-1/4"	81-1/4"
C	4"	6"
D	1"	3"
E	-	-
F	-	-



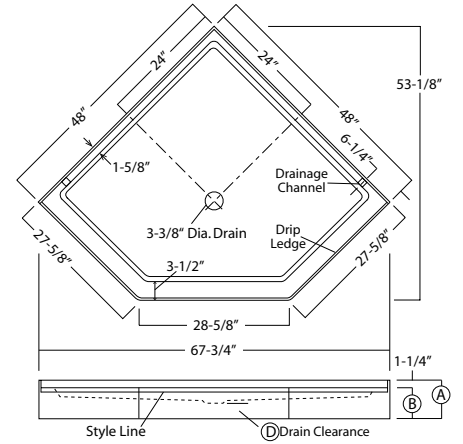
SBNA-3838 ABF (illustr.)

	Std Unit	ABF Unit
A	5-1/4"	7-1/4"
B	4"	6"
C	-	-
D	1"	3"

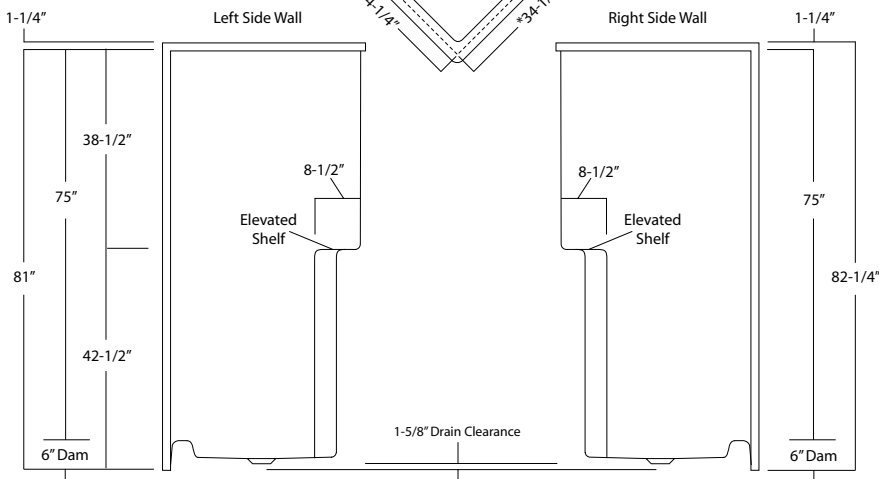
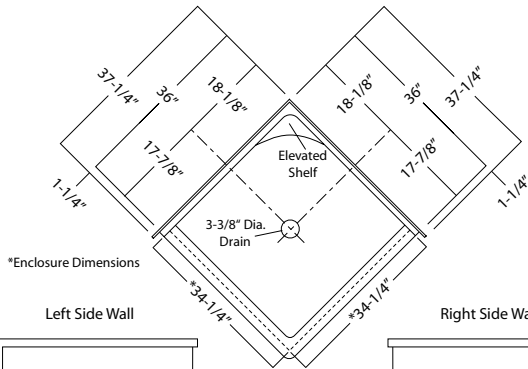


SBNA-4848 ABF (illustr.)

	Std Unit	ABF Unit
A	5-1/4"	7-1/4"
B	4"	6"
C	-	-
D	1"	3"



SH-C-36



SP-DT-4R (illustrated)
SP-DT-4L

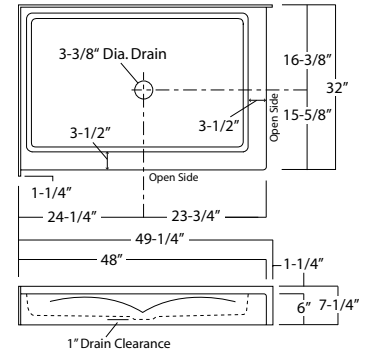


Illustration 1b - Unit Dimension & Alcove Framing Guidelines
(dimensional tolerance +0 / -3/8")

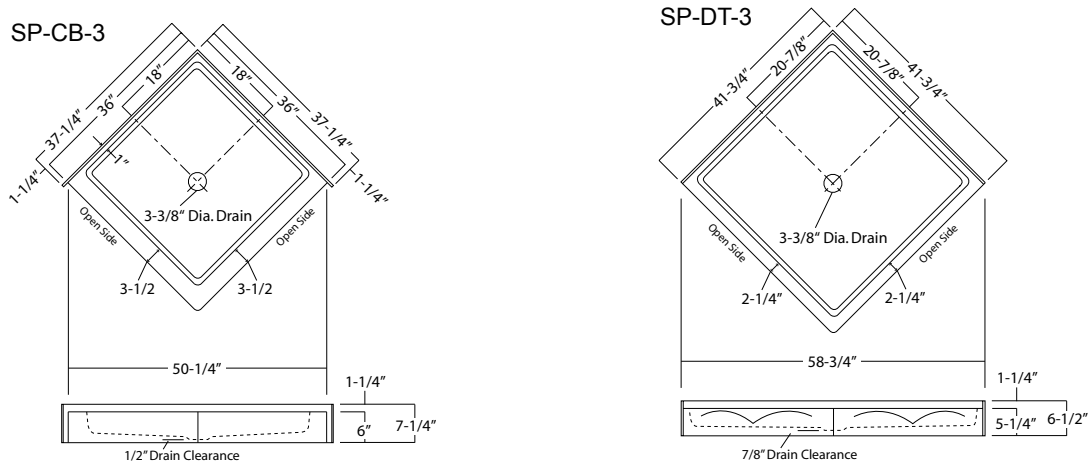
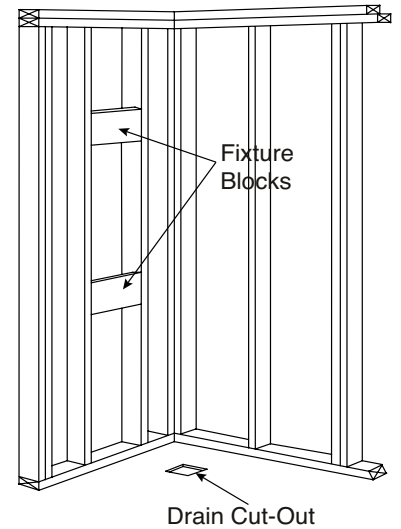
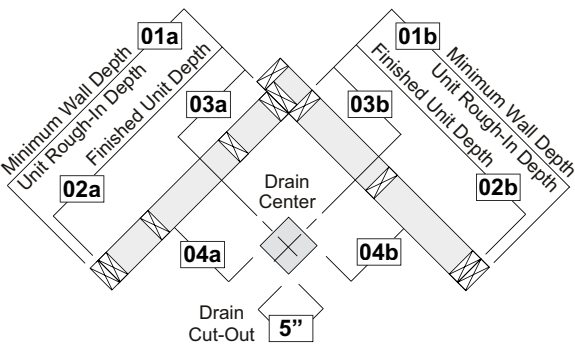
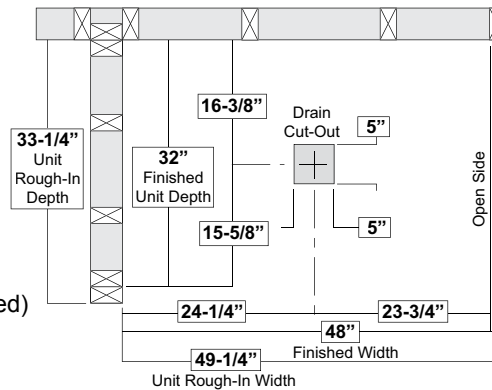


Illustration 1c - Unit Dimension & Alcove Framing Guidelines
(dimensional tolerance +0 / -3/8")

Model	01a	01b	02a	02b	03a	03b	04a	04b
SH-NA-3838	39-1/4"	39-1/4"	38"	38"	18-1/8"	18-1/8"	15-5/8"	15-5/8"
SH-C-36	37-1/4"	37-1/4"	36"	36"	18-1/8"	18-1/8"	15-5/8"	15-5/8"
SBNA-3838	38"	38"	38"	38"	18"	18"	15-1/2"	15-1/2"
SBNA-4848	48"	48"	48"	48"	24"	24"	21-1/2"	21-1/2"
SP-CB-3	37-1/4"	37-1/4"	36"	36"	18"	18"	15-1/2"	15-1/2"
SP-DT-3	41-3/4"	41-3/4"	41-3/4"	41-3/4"	20-7/8"	20-7/8"	18-3/8"	18-3/8"



SP-DT-4R (illustrated)
SP-DT-4L



Installation Procedure

NOTE: 'Wet-set' is not required to support the floor under an Oasis product due to the encapsulated Balsa wood construction.

With the unit positioned in the alcove, several details must be checked prior to securing the unit in place (illust. 5 & 6).

- Confirm the dam is resting flush on the floor
- Confirm drain position.
- Confirm the unit is level along each side and across each end.
- Confirm the unit is square in the framework.

NOTE: Any material placed under the base to keep the unit level must be structurally sound and applied to ensure the unit's weight will be equally distributed over the entire base.

The use of shims or filler material may also be required behind the nailing flange at each framing member to maintain the unit in the proper position.

With the unit square and level in the alcove, drill a 1/8" hole through the nailing flange at each framing member. Secure the unit in place across the back walls first, then down the front vertical flanges. Use 1-1/4" large headed nails or screws. Continuously check to confirm the unit remains square within the alcove as it is being secured (illust. 7 & 8).

NOTE: It is advisable to protect the unit surface with a thin plywood or cardboard shield while fastening the flanges to the framing (illust. 8).

WARNING!
THE INSIDE UNIT SURFACE SHOULD BE CLEAR OF ALL LOOSE DEBRIS AND THE SURFACE PROTECTED BEFORE STEPPING INSIDE.

Finishing Guidelines

Filler strips or filler material may be required over the framing to ensure the underlayment mounts flush over the nailing flanges. A water resistant underlayment is recommended surrounding the unit. Stop the underlayment 1/16 to 1/8-inch from the unit surface, and fill the space with a continuous bead of water resistant sealant. (Illust. 9)

NOTE: Oasis recommends a high quality silicone based sealant with a mold and mildew resistant content.

Use care when fastening the underlayment near the unit surface to avoid damage. Seal the underlayment seams and edges, as required, and install the finish material to specifications.

Water Supply and Drain Connections

Refer to, and follow, the assembly and installation instructions provided with the supply valves and drain system. Carefully check all connections for leaks.

Through routine use, the unit surface can collect residues from soap, bath additives and natural body oils. Additional deposits can also collect from minerals or particles found in the water. After each use, wipe the excess water from the unit. This practice will reduce the buildup of deposits and help maintain the natural unit lustre.

Following a thorough surface cleaning, an application of quality automotive wax will help reduce major accumulations. The actual schedule for cleaning and waxing will depend on unit usage and water quality.

UNIT SURFACE CARE

WARNING!
NEVER USE ABRASIVE MATERIALS, OR ABRASIVE CLEANERS ON THE UNIT SURFACE!

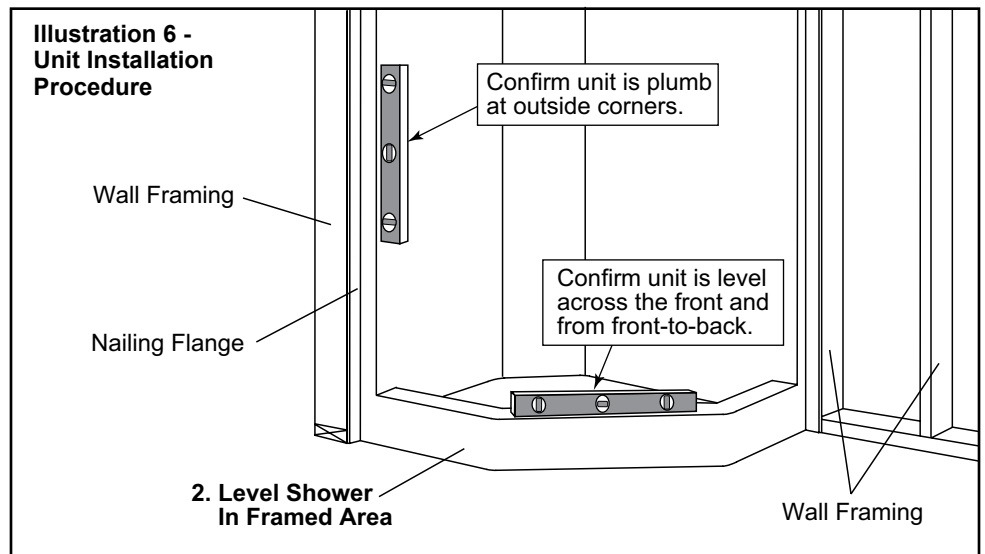
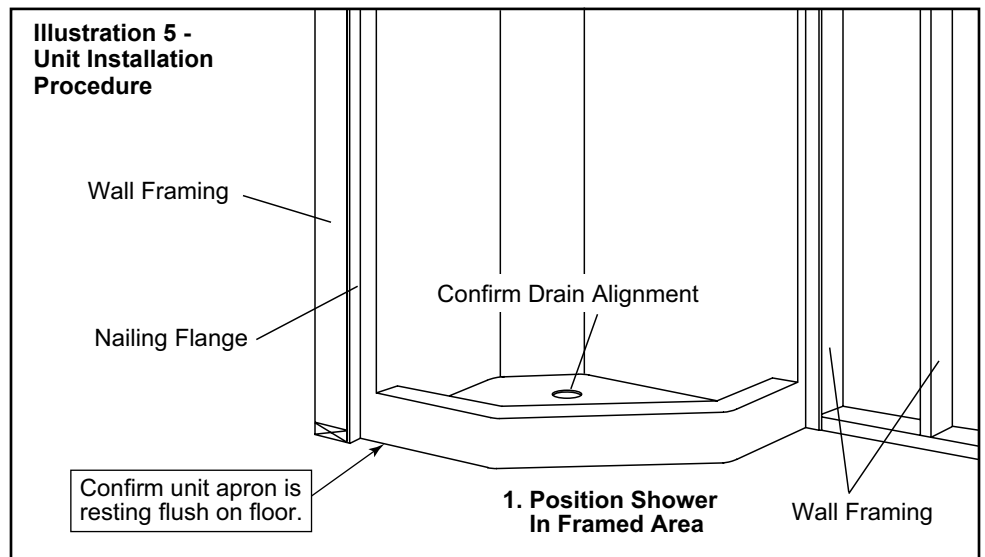
EXTREME CAUTION is urged regarding the use of any cleaner, acid or solvent on the unit surface.

READ AND FOLLOW PACKAGE INSTRUCTIONS FOR ALL PURCHASED CLEANING PRODUCTS!

WARNING!
NEVER APPLY WAX TO THE UNIT FLOOR!

◆ Routine Cleaning: Mild, non-abrasive cleaner specifically formulated for gelcoat and acrylic surfaces recommended. (Rinse surface thoroughly)

◆ Heavy Soap Deposits: Liquid ammonia household cleaner, applied full strength.



(Rinse surface thoroughly)

◆ **Stubborn Stains:** Liquid household cleaner or hydrogen peroxide applied full strength. Place a saturated clean rag directly on stain and let stand several hours. (Rinse surface thoroughly)

◆ **Hard Water Scales:** Liquid scale remover or white vinegar, applied full strength. (Rinse surface thoroughly)

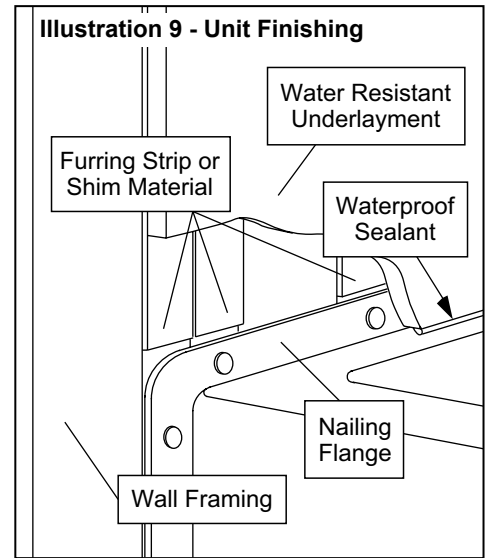
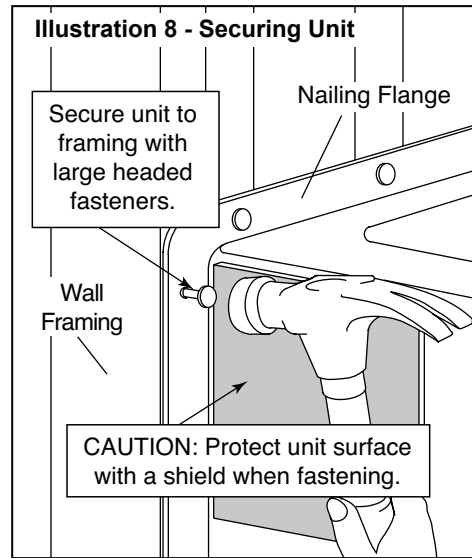
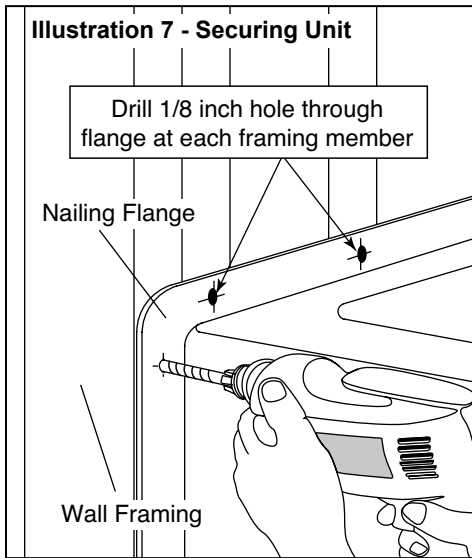
◆ **Mold/Mildew:** Liquid mildew remover or baking soda and water paste. (Apply paste and allow to fizz several minutes.) (Rinse surface thoroughly)

◆ **Construction Adhesive:** Soften adhesive with a hand held hair dryer and peel off adhesive. (Caution is advised when using any electrical device near water.)

For adhesive residue, apply rubbing alcohol or nail polish remover, full strength. (Rinse surface thoroughly)

WARNING!
BATH MATS AND OTHER ITEMS HELD IN PLACE USING SUCTIONS MUST BE REMOVED FROM THE UNIT SURFACE AFTER EACH USE.

OVER AN EXTENDED PERIOD FAILURE TO REMOVE SUCTION ATTACHED ITEMS WILL DAMAGE THE UNIT SURFACE.





Oasis Lifestyle Product Assurance Program

Bathing and Shower Unit Structure & Surface Finish Limited Warranty

Oasis Lifestyle provides a performance assurance program for unit structural integrity and surface finish covering a five (5) year period from the date-of-purchase on GELCOAT, and covering a ten (10) year period from the date-of-purchase on VACUUM FORMED ACRYLIC product, for the original purchaser and subsequent consumer. This Oasis limited warranty program addresses specific defects in the product, and the workmanship associated with the manufacture of the Oasis bathing and shower product. The specific defects covered must result in a significantly altered appearance and/or affect the intended performance standards for the product under normal residential use.

Hydro-Massage Systems (water recirculation & air), Option & Accessories Limited Warranty

Oasis Lifestyle provides a performance assurance program for their hydro-massage systems (herein called 'system'), and their options and accessories covering a two (2) year period from the date-of-purchase for the original purchaser and subsequent consumer. This Oasis limited warranty program addresses specific defects in the system components, and the workmanship associated with the assembly of the systems, along with offered options and accessories installed by Oasis, on an Oasis unit. The specific defects covered must result in a significantly altered appearance and/or affect the intended performance standards for the system, the option and/or the accessory.

During the coverage period, Oasis will, at its discretion (following a verification by an authorized Oasis representative), either provide service or supply a replacement product without charge, but excluding any cost associated with the transportation, removal of and/or reinstallation of the unit (module). Failure to allow requested inspection by an authorized Oasis representative, and/or failure to provide adequate accessibility for an authorized inspection, and/or service performed prior to documented authorization from Oasis Lifestyle, LLC., may delay service, and/or possibly terminate any warranty coverage, and remove any liability to Oasis Lifestyle, LLC.


This 'Product Assurance Program' does not cover service resulting the following:

- a) Improper field installation of the product, system, option, accessory, and/or surrounding structure modifications, and/or utility service connections beyond the recommendations supplied by Oasis and within the scope of applicable codes and ordinances; or
- b) Carelessness, damage, abuse, misuse, negligence, improper care, fire, flood, or acts of God; or
- c) Non-conforming use, including any use beyond those intended for the product, system, option and/or accessory, including failure to follow the Prescribed Care and Maintenance Instructions; or
- d) Any unauthorized alterations or modifications to the product, system, option, accessory and/or the individual parts or components supplied by Oasis.
- e) Any surface and/or component staining, discoloration, component failure and/or build-up caused as a result of water chemistry or water quality at the site.
- f) Service resulting from normal use and wear for the product, system, option and/or accessory.

Repair or the supplying of replacement product and/or components, under this limited warranty program, shall be the exclusive remedy. Oasis Lifestyle, LLC., shall not be liable for any incidental or consequential damages, including damages to the building / structure, the contents, the occupants, or breach of any expressed or implied warranties. Oasis Lifestyle, LLC., does not recognize, nor authorizes any party to provide implied or written warranties regarding a product, system, option and/or accessories fitness for a particular purpose, nor modify the terms of the limited warranty beyond those stated.

Some states do not allow the exclusion or limitation of incidental or consequential damages, or allow limitations on the duration of any implied warranty. Therefore, the above exclusions and/or limitations may not apply.

THIS WARRANTY PROVIDES SPECIFIC LEGAL RIGHTS, WHICH CAN VARY FROM STATE-TO-STATE.




The manufacturer represents that the product to which this label is affixed (a) duplicates samples independently tested by Home Innovations Research Labs and certified to conform to the requirements of HUD UM Bulletin 73a and the appropriate ANSI Z124 and ASME A112.19.7 standards, and (b) has been manufactured under quality controls deemed appropriate by the manufacturer and periodically reviewed by the certifier.

**Home Innovation
LAB CERTIFIED™**

800.638.8556
HomeInnovation.com

Oasis Lifestyle, LLC
Plymouth, IN
6006

The manufacturer represents that the product to which this label is affixed (a) duplicates samples independently tested by Home Innovations Research Labs and certified to conform to the requirements of HUD UM Bulletin 73a and the appropriate ANSI Z124 and ICC/ANSI A117.1 standards, and (b) has been manufactured under quality controls deemed appropriate by the manufacturer and periodically reviewed by the certifier.

**Home Innovation
LAB CERTIFIED™**

800.638.8556
HomeInnovation.com

Oasis Lifestyle, LLC
Plymouth, IN
6006

