

BUILDER SERIES

Oasis



Home Innovation
LAB CERTIFIED™



72-INCH WIDE MODEL

HG-490 (Self-Rimming)

HGG-490 (Self-Rimming)

Unit Dimensions

72" wide x 42" deep x 22" high (23-1/4" w. neck rest)

Unit Features

- Vacuum Formed Acrylic or Gelcoat Surface
- 2" Dia. Side Drain (see reverse side for location)
- 2-1/2" Dia. Overflow (see reverse side for location)
- Twin, Contoured Armrests (at each end)
- Contoured Neck Rest (at each end)
- Pre-Leveled Block Base System
- Textured Floor Pattern

Special Notes

- Whirlpool System Available (see reverse side for details)
- Air System Available (see reverse side for details)
- UL Listed Whirlpool & Air Systems
- Acrylic Model Available Only In White (WHT) & Biscuit (BSC) Colors

Unit / System Order Number

Acrylic: HG-490 / OND (soaking tub)
HG-490 / CWS (Carress System)
HG-490 / AR2 (Revive Aire System)

Gelcoat: HGG-490 / OND (soaking tub)
HGG-490 / CWS (Carress System)

System Trim

Standard CWS Trim (order code): White trim on White unit (WHT) - Bone trim on Bone unit (BON) (gelcoat only) -
Biscuit trim on Biscuit unit (BSC)

Order Number / Description

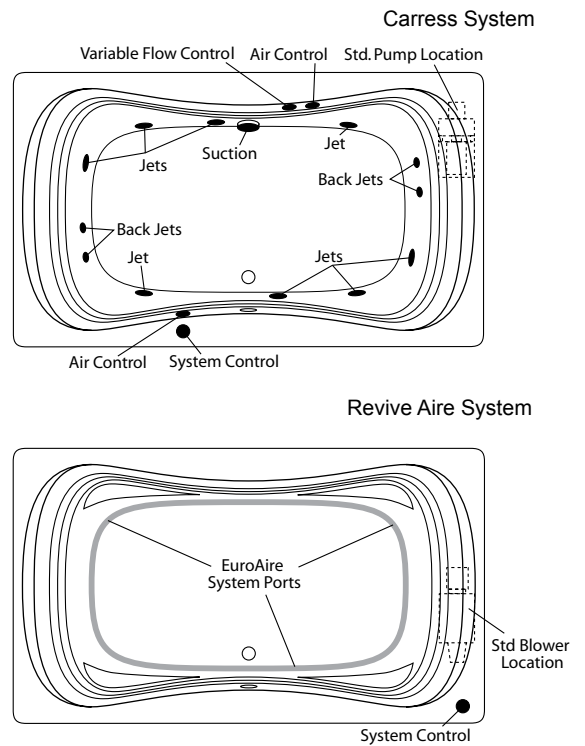
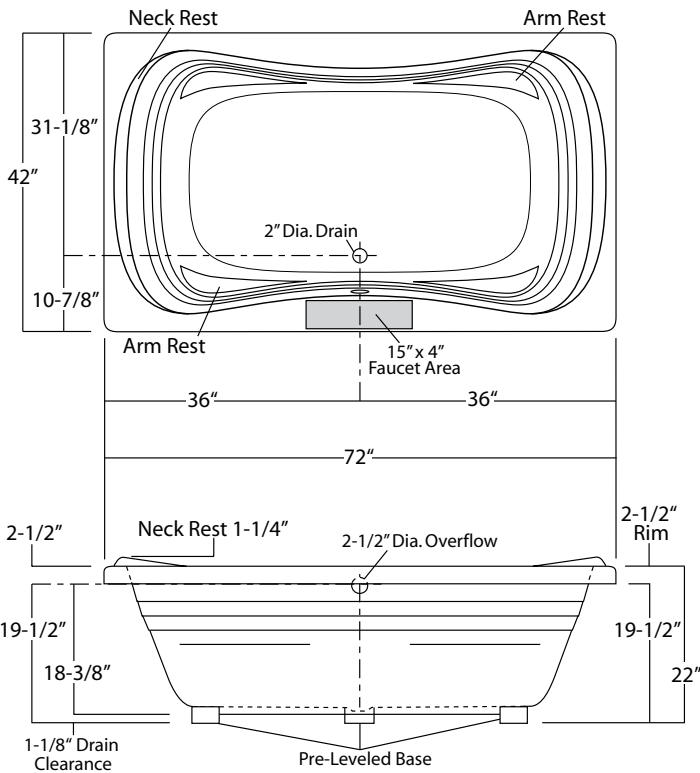
CWS: *Carress System* includes: 6-Adjustable side jets, 2-rotating foot jets, 4-micro pulse back jets, variable flow control, twin air controls, electronic system control, and a 13.0 amp pump/motor.

Options: In-Line Heater (1*) (order: ILH)
 Trim Upgrade (1*)
 Chrome (order: CWS-CHR)
 Brushed (Satin) Nickel (order: CWS-SNK)

Order Number / Description

AR2: *Revive Air System (3*)* includes: (46) Perimeter air ports, electronic system control, and a 12.0 amp, 600-watt blower with ceramic heater.

Notes: (1*) Factory installed options
 (2*) Includes system control upgrade
 (3*) Available on acrylic model only



HG/HGG-490
 Sump Dimen: 57-1/2" long x 30" wide x 20-1/2" deep
 Sump Capacity: 105 gal. (unoccupied - to overflow)
 Whirlpool Operating: 54 gal.

Photographic images may include optional components and appear different than actual product.
 Dimensions shown are maximum. Due to the nature of the materials involved, actual unit dimensions can vary (tolerances: +/-1/8 inch)
 Oasis reserves the right to modify or discontinue product and/or associated equipment without prior written or verbal notification or obligation.