

# DUAL THRESHOLD SHOWER BASES



**Home Innovation**  
LAB CERTIFIED™

**Oasis**



## MODELS

**SP-CB-3**  
**SP-DT-3**  
**SP-DT-4R/L**

Rough-In Dimensions	SP-CB-3	37-1/4" deep x 37-1/4" deep x 7-1/4" high
	SP-DT-3	41-3/4" deep x 41-3/4" deep x 6-1/2" high
	SP-DT-4R/L	49-1/4" deep x 33-1/4" deep x 7-1/4" high

Finished Dimensions	SP-CB-3	36" deep x 36" deep x 6" high
	SP-DT-3	41-3/4" deep x 41-3/4" deep x 5-1/4" high
	SP-DT-4R/L	48" deep x 32" deep x 6" high

### Unit Features

- One-Piece Gelcoat Surface
- 3-3/8" Center Drain (see reverse side for location)
- Integral Tile Flange
- Balsa Wood Core Floor Structure
- Textured Floor Pattern

### Special Notes

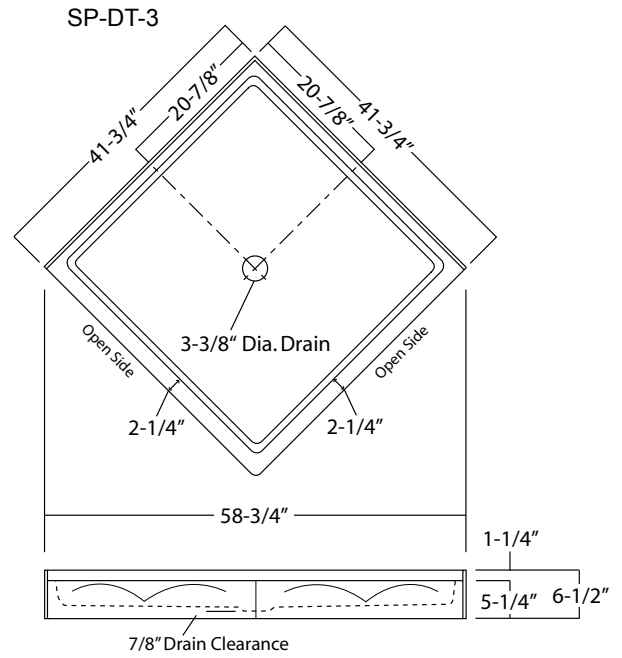
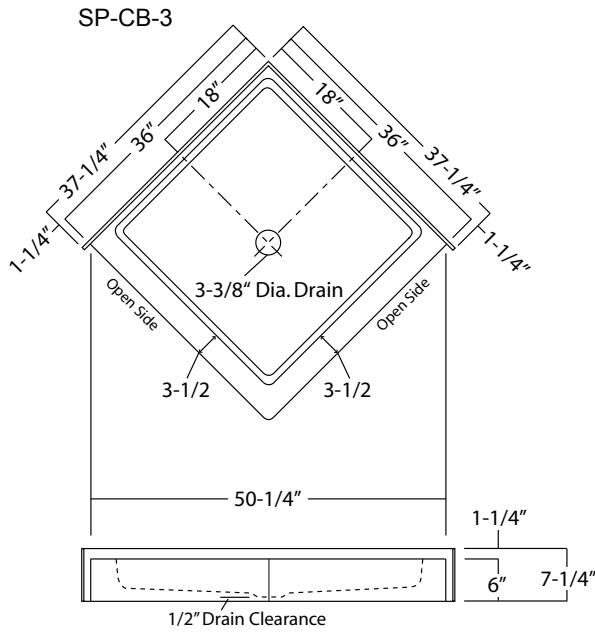
- Individually Packaged In Cartons

### Unit Order Number

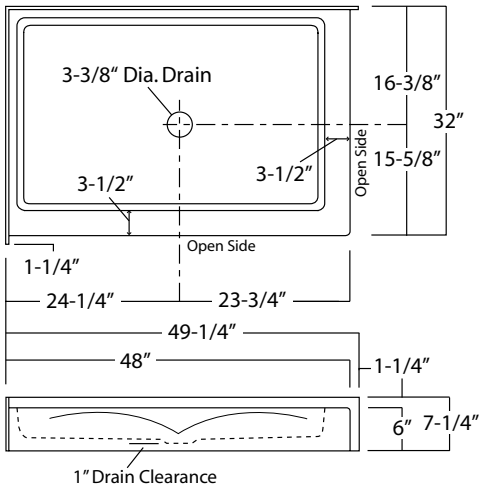
Gelcoat: SP-CB-3  
SP-DT-3

### Unit Order Number

Gelcoat: SP-DT-4R/L (designates open 32" side)



SP-DT-4R (designates 32" open side)



**NOTE:** Critical enclosure dimensions should be taken directly from the installed shower base with finished wall surround.